



CYLINDER TYPE PNEUMATIC OPERATING CONTROL VALVES

920 SERIES

■ 920A



■ 920B



■ 920C

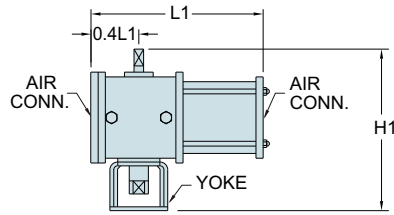


ACTUATOR SPECIFICATIONS

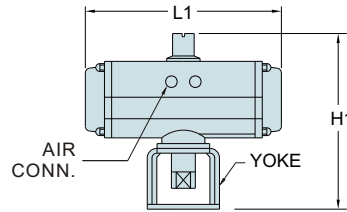
ITEMS \ MODEL		920A			920B			920C				
CYLINDER TYPE		PLAIN PISTON			DUAL PISTON W / RACK & PINION							
MATERIALS	HOUSING & COVER	FC200 W/PU coating			AlMgsi 0.5F25 ; 3.3206 72 DIN 1748 Teil , Nickel plated			SCS13				
	PISTON	SS41 W / Bearing of Nylon 46			GD-AISI8 Cu33.2162n DIN 1725 TEIL 2 , Nickel plated							
	DRIVE SHAFT	SS41			Forged steel ASTM A105			SUS304				
YOKE CONN./MAT'L		ISO 5211 / FC material			ISO 5211 / SCS13 material							
SUPPLY PRESSURE	GASEOUS	Dry or lubricated air / Non-corrosive and inert gas or light hydraulic oil										
	DOUBLE ACTION	1~10 kg/cm ² G , Nor.3~5 kg/cm ² G										
	SPRING RETURN	2~10 kg/cm ² G , Nor.3~6 kg/cm ² G										
ANGLE ADJUSTMENT		Un-adjustable			±4° Adjustment							
ROTATION RANGE		90 degree			90° for STD. / 120~180 for options			90 degree				
OPERATING TEMP.		0~70°C			-20~+180°C for STD. -40~+150°C for Specified			-20~+180°C for STD. -40~+150°C for Specified				
AVAILABLE (at 0.4MPa supply air & 1.0MPa fluid pressure)	SIZE CODE OF CYLINDER	ACTUATED STYLE	BALL VALVE	BUTTERFLY VALVE	3-WAY BALL VALVE	BALL VALVE	BUTTERFLY VALVE	3-WAY BALL VALVE	BALL VALVE	BUTTERFLY VALVE	3-WAY BALL VALVE	
			A	D				6A~15A	15A~40A		6A~15A	15A~40A
		S										
	B	D	15A~32A	50A	15A	20A~32A	50A	6A~15A	20A~32A	50A	6A~15A	
		S				6A~15A	20A~40A		6A~15A	20A~40A		
	C	D	40A~50A	65A~80A	20A~32A	40A~50A	65A~80A	20A~32A	40A~50A	65A~80A	20A~32A	
		S				20A~25A	50A		20A~25A	50A		
	D	D	65A~80A	100A~125A	40A~50A	65A~80A	100A~125A	40A~50A	65A~80A	100A~125A	40A~50A	
		S				32A~40A	65A~80A		32A~40A	65A~80A		
	E	D	100A~125A	150A~250A	65A~80A	100A	150A~200A	65A~80A	100A	150A~200A	65A~80A	
		S				50A~65A	100A~125A		50A~65A	100A~125A		
	F	D	150A	300A	100A~125A	125A~150A	250A~300A	100A~125A				
		S				80A~100A	150A~200A					
	G	D	200A	350A	150A	200A~250A	350A~400A	150A				
		S				125A~150A	250A~300A					
	H	D				300A~400A	450A~500A	200A				
	S				200A~250A	350A~400A						
X	X	Special specified										

DIMENSIONS OF CYLINDER

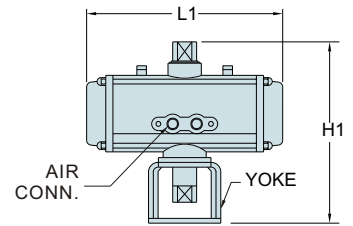
920A



920B



920C



MODEL	CYLINDER SIZE		A		B		C		D		E		F		G		H	
	ACTUATED CODE / STYLE		L1	H1	L1	H1	L1	H1	L1	H1	L1	H1	L1	H1	L1	H1	L1	H1
920A	D	Double																
	S	Single			110	178	165	187	180	248	190	264	300	325	340	370	450	390
920B	D	Double			138	147	152	173	202	190	271	233	360	273	464	334	576	378
	S	Spring return			138	147	152	173	202	190	271	233	360	273	464	334	576	378
920C	D	Double	122	116	149	154	171	180	209	218	259	242	110	110	110	110	110	110
	S	Spring return	154	116	200	154	245	180	315	218	395	242	110	110	110	110	110	110
AIR SUPPLY CONNECTION			1/8"PT(F)					1/4"PT(F)										

MODEL SELECTIONS

ITEMS	CODE	SPECIFICATIONS
① MODEL	920A	PLAIN PISTON CYLINDER / FC HOUSING / SINGLE ACTING OR DOUBLE ACTING
	920B	DUAL PISTON CYLINDER / AL. HOUSING / DOUBLE ACTING OR SPRING RETURN
	920C	DUAL PISTON CYLINDER / SS HOUSING / DOUBLE ACTING OR SPRING RETURN
	920D	OEM VERSIONS
② VALVE TYPE	-A	Ball valve of 2-way
	-B	Butterfly valve
	-C	Ball valve of 3-way with 2-port
	-D	Ball valve of 3-way with 3-port
	-E	Special specified
③ CONNECTION STANDARD	0	ANSI Flange or wafer of butterfly valve which fits to the ANSI standard
	1	JIS Flange or wafer of butterfly valve which fits to the JIS standard
	2	DIN Flange or wafer of butterfly valve which fits to the DIN standard
	3	Special specified
④ MATERIAL OF VALVE BODY	0	FC200
	1	SCS13
	2	SCS14
	3	Special specified
⑤ MATERIAL OF SEAT / BALL (DISC)	0	PTFE / SUS304
	1	PTFE / SSU316
	2	Special specified
⑥ OPERATING PRESSURE OF FLUID	-A	Less than 10 kg/cm ² G
	-B	More than 10.1 kg/cm ² G
⑦ AVAILABLE SIZE / ACTUATOR STYLE OF ACTUATOR	AD	(See the available code of actuator specifications)
	HS	
	XX	Special specified
⑧ COMBINED ACCESSORIES	A	Not required
	B	Required
⑨ SIZE OF COMBINED VALVE	-006	6A
	∅	∅
	-400	400A
	-XXX	Over 400A or specified

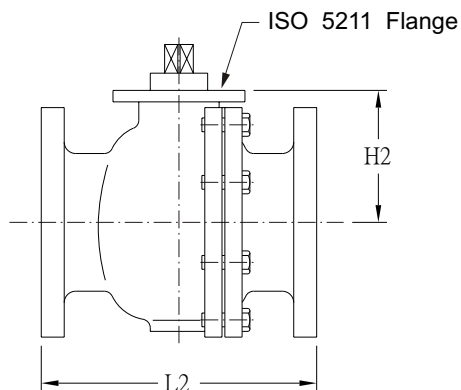
ORDERING EXAMPLE

920B - 0 0 1 0 - A CS B - 025

① ② ③ ④ ⑤ ⑥ ⑦ ⑧ ⑨

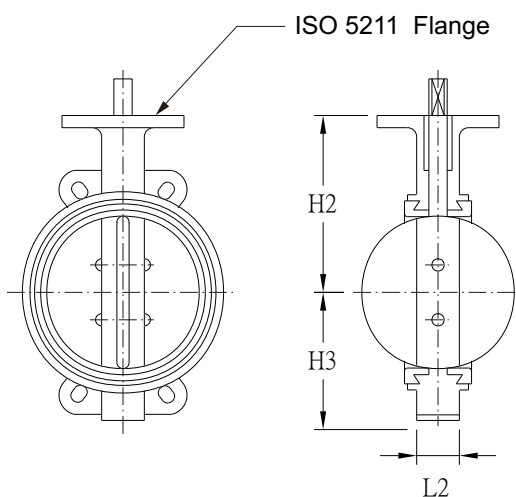
DIMENSIONS OF VALVE

■ BALL VALVE (2-WAY)



VALVE SIZE		ANSI 150# RF		JIS 10K RF		DIN (PN16/40)		ACTUATOR SIZE	
mm	INCH	L2	H2	L2	H2	L2	H2	D	S
15	1/2	108	46	108	32.5	115	46	A	B
20	3/4	117	50.5	117	36.5	120	50.5	B	C
25	1	127	56.5	127	44	125	56.5	B	C
32	1-1/4	140	60	140	48	130	60	B	D
40	1-1/2	165	80	165	55.8	140	80	C	D
50	2	178	86	178	65.3	150	86	C	E
65	2-1/2	190	101	190	101	170	101	D	E
80	3	203	111	203	111	180	111	D	F
100	4	229	131	229	131	190	131	E	F
125	5	356	173	356	173	325	173	F	G
150	6	394	190	394	190	350	190	F	G
200	8	457	237	457	237	400	237	G	H
250	10	533	266	533	266			G	H

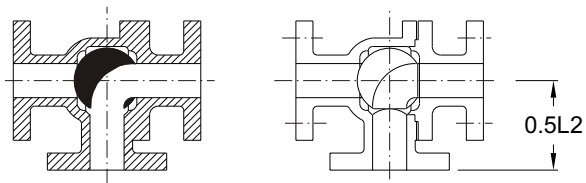
■ BUTTERFLY VALVE (JIS 5K/10K/ANSI 150#/DIN PN16/BS10 Flange are available)



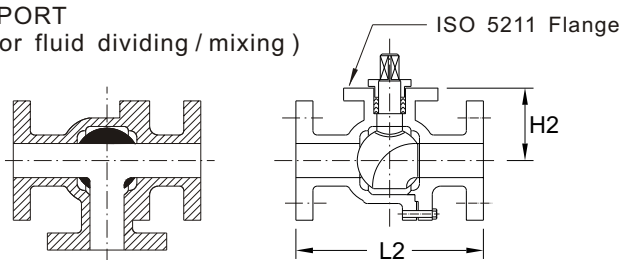
VALVE SIZE		DIMENSIONS (mm)			ACTUATOR SIZE	
mm	INCH	L2	H2	H3	D	S
50	2	43	105	60	B	C
65	2-1/2	46	115	70	C	D
80	3	46	135	75	C	D
100	4	52	150	106	D	E
125	5	56	165	126	D	E
150	6	56	180	138	E	F
200	8	60	210	163	E	F
250	10	68	240	204	F	G
300	12	78	280	238	F	G
350	14	78	300	272	G	H
400	16	86	330	310	G	H
450	18	105	370	350	H	
500	20	130	400	380	H	

■ BALL VALVE (3-WAY)

● 2-PORT (Used for diverting)



● 3-PORT (For fluid dividing / mixing)



VALVE SIZE		DIMENSIONS (mm)		ACTUATOR SIZE		
mm	INCH	L2	H2	920A	920B	920C
15	1/2	140	82	BD	BD	BD
20	3/4	165	82	CD	CD	CD
25	1	165	85	CD	CD	CD
40	1-1/2	230	135	DD	DD	DD
50	2	230	135	DD	DD	DD
65	2-1/2	270	175	ED	ED	ED
80	3	290	200	ED	ED	ED
100	4	350	216	FD	FD	
125	5	460	350	FD	FD	
150	6	530	400	GD	GD	

OPTIONAL ACCESSORIES

- AIR SET
991A/991B/991C
- SOLENOID VALVES
992A/992B/992C
- LIMIT SWITCHES / POSITION INDICATOR
993A/993B/993C

NOTE : The details refer to another catalog sheet of 900 series.

The specifications are subject to change without prior notice.

DOERS TECHNOLOGY CORPORATION

4F, NO. 1, LANE 11, TZU CHIANG STREET, TU-CHENG
INDUSTRIAL PARK, TAIPEI COUNTY, TAIWAN 23678

Http : //www.doers.com.tw

e-mail : doers.tech@msa.hinet.net

TEL : 886-2-22682689

FAX : 886-2-22681248

