



# FLOW MONITORS

PISTON TYPE / SETPOINT ADJUSTABLE

# 646

## FEATURES

- SUITABLE FOR WATER, OIL OR GASES
- VISCOSITY EFFECT FREE
- RIGID & DURABLE BODY
- HIGH SAFETY & RELIABILITY
- VARIOUS CONNECTION & MOUNTING POSITIONS OF YOUR CHOICES
- EASILY READABLE INDICATING & SWITCH SETTING

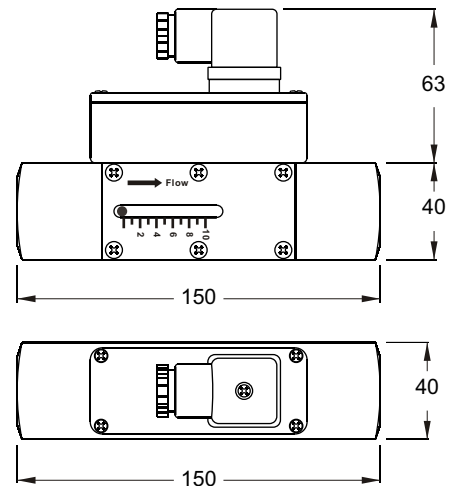


## STANDARD SPECIFICATIONS

FLUID	Water, oil or gases
TEMP	120°C mx.
PRESSURE	200bar max.
PRESSURE DROP	0.01~3.5bar Different in flow range & connection
VISCOSITY COMPENSATION	2 ~ 35 cps
MATERIAL	Body / 304SS or specified
SETTING RANGE	0 ~ 100% Selectable
ACCURACY	± 5% F.S
FLOW DIRECTION	Unidirectional
MOUNTING	Horizontal or Vertical
WEIGHT	Approx. 1.3kg

## DIMENSIONS

m/m



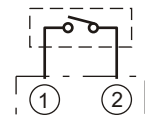
## SWITCH UNIT

Table 1

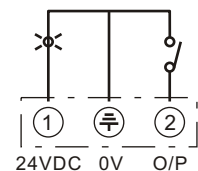
CODE	CONTACT FORM	CONTACT RATING	HOUSING	CABLE ENTRY	PROTECTION / ENCLOSURE
A	SPST-NO	250V 0.7A 70W	ADC with DIN 43650	PG9	IP65
B	SPST-NC				
C	SPDT				
D	SPST-NO				
E	SPST-NC				
F	SPDT		IP65		
G	SPST-NO				
H	SPST-NC				
I	SPDT				
J	To be specified				

### WIRING CONNECTIONS

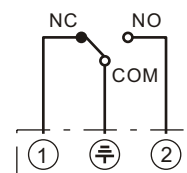
#### ■ SPST



#### ■ With LED Version



#### ■ SPDT



## MODEL SELECTIONS

ITEMS	CODE	SPECIFICATIONS		
① MODEL	646A	FLOW SWITCH		
	646B	FLOW SWITCH WITH LED LAMP MONITORING		
	646C	To be special specified		
② INDICATION	- 0	None , Not required		
	- 1	Required		
③ MATERIALS OF BODY / PISTON	0	304SS		
	1	316SS		
	2	To be specified		
④ FLOW DIRECTION	0	Horizontal		
	1	Vertical		
	2	Undetermined		
⑤ PROCESS CONNECTION	- A	NPT (F)		
	- B	Rc (F)		
	- C	To be specified		
⑥ INSTALLATION LENGTH	A	Standard (150mm)		
	B	To be specified		
⑦ OPERATING PRESSURE / TEMP.	A	≤ 200bar / 120°C		
	B	To be specified		
⑧ FLOW RATING	A	1 ~ 10 L/min (1/4"~1" available)		
	B	2 ~ 15 L/min (3/8"~1" available)		
	C	2 ~ 20 L/min (1/2"~1" available)		
	D	3 ~ 30 L/min (3/4"~1" available)		
	E	5 ~ 50 L/min (1" available)		
	F	To be specified		
⑨ CONNECTION SIZE FOR PIPING	CODE	SIZE	STD RANGE	OPTIONS RANGE (L/min)
	- 008	1/4"	1 ~ 10 L/min	0.5~5
	- 010	3/8"	2 ~ 15 L/min	1~10 , 0.5~5
	- 015	1/2"	2 ~ 20 L/min	2~15 , 1~10 , 0.5~5
	- 020	3/4"	3 ~ 30 L/min	4~40 , 2.5~5 , 2~20 , 2~15 , 1~10
	- 025	1"	5 ~ 50 L/min	6~60 , 4~40 , 3~30 , 2.5~25 , 2~20 , 2~15 , 1~10
⑩ SWITCH UNIT (See table 1)	/ A	Standard (SPST-NO 250V 0.7A 70W , DIN 43650 , IP65)		
	∩			
	/ J	To be specified		

### DOERS TECHNOLOGY CORPORATION

4F, NO. 1, LANE 11, TZU-CHIANG STREET, TU-CHENG  
INDUSTRIAL PARK, TAIPEI COUNTY, TAIWAN 23678

<http://www.doers.com.tw>

E-mail : [doers.tech@msa.hinet.net](mailto:doers.tech@msa.hinet.net)

TEL : 886-2-22682689

FAX : 886-2-22681248



The specifications are subject to change without prior notice.