

## SPECIFICATION

**NOMINAL PIPE SIZE :** 40mm(1-1/2")~400mm(16")

**FLANGE RATING :** ANSI 150, 300, or 600lb RF

JIS 10, 20, 30 kg/cm<sup>2</sup> RF

**RING MATERIAL :** 304S.S., 316S.S., SF45, Carbon steel etc.

**TAPS CONNECTION :** 1/2"NPT (F) or pipe adapter welded

**GASKET MATERIAL :** Non-asbestos sheet; 1.5mm<sup>t</sup> or special specified

## MODEL SELECTIONS

ITEM	CODE	SPECIFICATION
MODEL	682A	ORIFICE RING (WITHOUT PLATE)
	682B	ORIFICE RING WITH PLATE ASSEMBLY
	682C	To be specified
CONNECTION OF LEAD PIPE	-0	1/2"NPT (F)
	-1	With Nipple 1/2"NPT
	-2	With Nipple for welding
	-3	To be specified
MATERIAL OF ORIFICE RING	0	304S.S.
	1	316S.S.
	2	To be specified
FLANGE MATERIAL	0	Not required
	1	304S.S.
	2	316S.S.
	3	To be specified
MATERIAL OF BOLTS / NUTS	-A	Not required
	-B	SCM3 / S45C
	-C	304S.S.
	-D	316S.S.
	-E	To be specified
GASKET MATERIAL	A	Not required
	B	Non - Asbestos sheet
	C	Vortex gasket ( Non - Asbestos )
	D	To be specified
FLANGE CONNECTION	A	ANSI / JPI
	B	JIS
	C	DIN
	D	To be specified
PRESSURE RATING OF FLANGE	A	150lb / 10K / PN16
	B	300lb / 20K / PN25
	C	To be specified
PIPING SIZE (See Table 1)	-020	3/4" ( 20 mm )
	-400	16" ( 400 mm )
	-XXX	To be specified

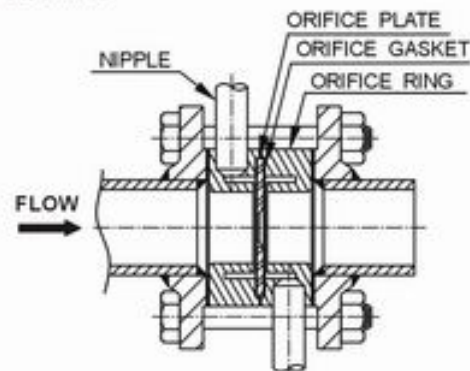
## CORNER TAP SYSTEM

682 series Ring assemblies are used in low / medium pressure system for measuring the flow of liquid, gas, vapor or steam.

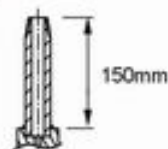
Pipe sizes from 40~400mm are available. Orifice Rings and flanges are completed if it assemblies with orifice plate. Then, the differential pressure output, which will be sent to receiver, can be detected from H / L tap for measuring the flow.

## DRAWING

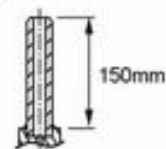
### 682A/B



### 682-1



### 682-2

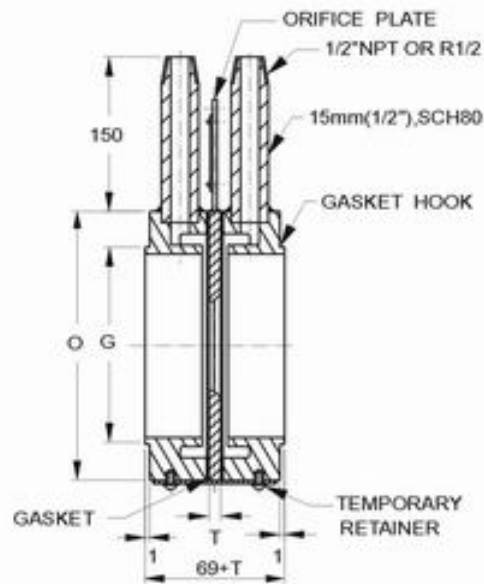


## PIPING SIZE

Table 1

CODE	PIPING SIZE
-040	1-1/2" ( 40 mm )
-050	2" ( 50 mm )
-065	2-1/2" ( 65 mm )
-080	3" ( 80 mm )
-100	4" ( 100 mm )
-125	5" ( 125 mm )
-150	6" ( 150 mm )
-175	7" ( 175 mm )
-200	8" ( 200 mm )
-250	10" ( 250 mm )
-300	12" ( 300 mm )
-350	14" ( 350 mm )
-400	16" ( 400 mm )
-XXX	To be specified

## DIMENSIONS ( mm )



Nominal diameter (mm)	Gasket hook OD G	Ring OD / O			Nominal diameter (inch)	Gasket hook OD G	Ring OD / O	
		JIS 5K	JIS 10K	JIS 16K, 20K			150 lb	300 lb
40	48	83	89	89	1-1/2	48	86	99
50	60	93	104	104	2	60	105	107
65	76	118	124	124	2-1/2	76	124	129
80	89	129	134	140	3	89	137	148
90	101	139	144	150	3-1/2	102	162	164
100	114	149	159	165	4	114	175	180
125	140	184	190	203	5	141	197	215
150	165	214	220	238	6	168	222	250
200	216	260	270	283	8	218	279	308
250	268	325	333	356	10	273	340	362
300	319	370	378	406	12	324	410	422
350	356	413	423	450	14	356	451	486
400	407	473	486	510	16	406	514	540

**NOTE :** Please contact our sales division for particular ordering specification excluding above described dimensions.