

SPECIFICATION

REGULATION TO MAKE CALCULATION

STANDARD : ISA 1932 / ISO R541 – 1967 / ASME Fluid Meters

ORIFICE TYPE : Concentric / Eccentric / Segmental or specified

TAPPING TYPE : Flange Taps / Corner Taps / Vena Taps

NOMINAL PIPE SIZE : 20mm (3/4") to 1500mm (60")

FLANGE RATING : JIS 5K / 10K / 20K / 40K / 63K

ANSI 150lbs / 300lbs / 600lbs / 900lbs or specified

PLATE THICKNESS : 2mm / 3mm / 5mm / 8mm / 10mm

ORIFICE MATERIAL : 304S.S. / 316S.S. or specified

FLANGE MATERIAL : Cast Iron ASTM A126 /
316S.S. A182 Gr.F316 /
Carbon Steel ASTM A105 /
304S.S. A182 Gr.F304
or specified

PIPE MATERIAL : Cast Iron ASTM A126 /
Carbon Steel ASTM A105 /
304S.S. A182 Gr.F304 or specified

FLANGE CONNECTION : Slip – On / Weld – Neck
or specified

LEAD PIPE CONNECTION : PT 1/2"NPT Female
or specified

GASKET MATERIAL : Asbestos or specified

BOLTS & NUTS MATERIAL : SCM3 / S45C or specified

PIPING SIZE

Table 1

CODE	PIPING SIZE	CODE	PIPING SIZE
- 020	3/4" (20 mm)	- 450	18" (450 mm)
- 025	1" (25 mm)	- 500	20" (500 mm)
- 040	1-1/2" (40 mm)	- 550	22" (550 mm)
- 050	2" (50 mm)	- 600	24" (600 mm)
- 065	2-1/2" (65 mm)	- 650	26" (650 mm)
- 080	3" (80 mm)	- 700	28" (700 mm)
- 100	4" (100 mm)	- 750	30" (750 mm)
- 125	5" (125 mm)	- 800	32" (800 mm)
- 150	6" (150 mm)	- 850	34" (850 mm)
- 175	7" (175 mm)	- 900	36" (900 mm)
- 200	8" (200 mm)	- 1K0	40" (1000 mm)
- 250	10" (250 mm)	- 1K1	44" (1100 mm)
- 300	12" (300 mm)	- 1K2	48" (1200 mm)
- 350	14" (350 mm)	- 1K3	54" (1300 mm)
- 400	16" (400 mm)	- 1K5	60" (1500 mm)
- xxx	To be specified		

DRAWING

680A



Concentric orifice plate

680B

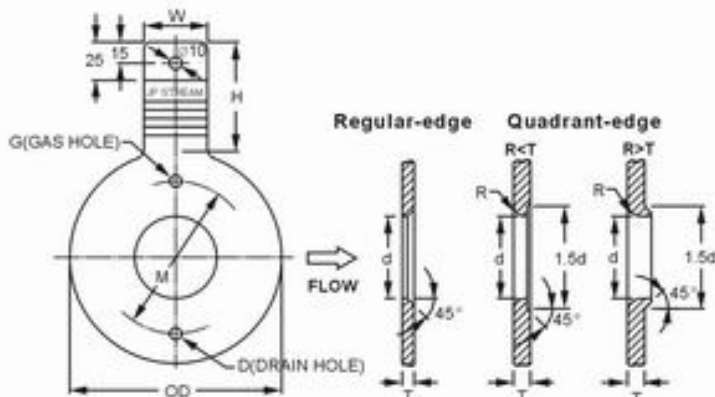


Eccentric orifice plate

680C



Segmental orifice plate

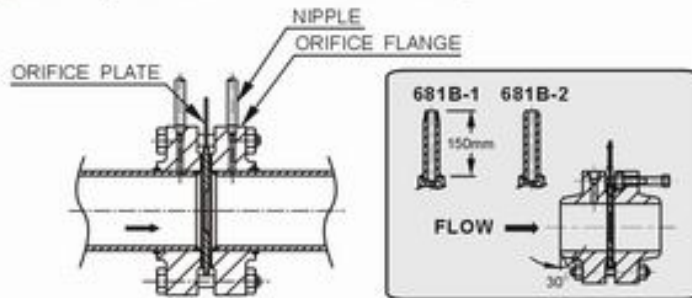


MODEL SELECTION FOR ORIFICE PLATE

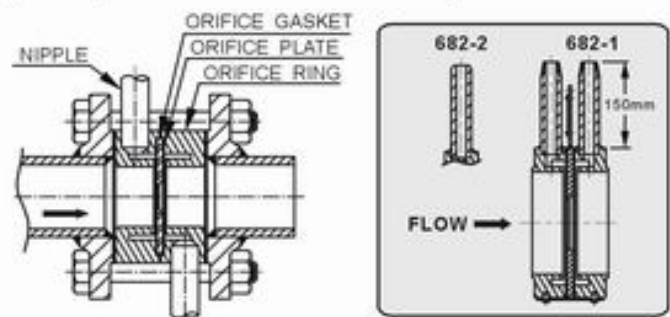
ITEM	CODE	SPECIFICATION
MODEL	680A	CONCENTRIC ORIFICE PLATE
	680B	ECCENTRIC ORIFICE PLATE
	680C	SEGMENTAL ORIFICE PLATE
	680D	OEM VERSIONS
ORIFICE BORE	-0	Regular-edge
	-1	Quadrant-edge
	-2	To be specified
COMPONENTS	0	Orifice plate only
	1	With orifice flange assembly
	2	With orifice ring assembly
	3	To be specified
MATERIAL OF ORIFICE PLATE	0	Not provided
	1	304S.S.
	2	316S.S.
	3	To be specified
THICKNESS OF ORIFICE PLATE	-A	2 mm
	-B	3 mm
	-C	5 mm
	-D	8 mm
	-E	10 mm
	-F	To be specified
VENT / DRAIN HOLE	A	Not required
	B	Vent hole
	C	Drain hole
GASKETS	A	Not required
	B	NBR
	C	PTFE
	D	To be specified
CALCULATION OF BETA RATIO	A	BY USER
	B	BY VENDOR
	C	BY OTHER
PIPING SIZE (See Table 1)	-020	3/4" (20 mm)
	-1K5	60" (1500 mm)

DRAWING

681A (FLANGE TAP ORIFICE)



682 (CORNER TAP ORIFICE)



MODEL SELECTION

ORIFICE FLANGE

ITEM	CODE	SPECIFICATION
MODEL	681A	SLIP - ON WELDING TYPE ORIFICE FLANGE
	681B	WELD - NECK TYPE ORIFICE FLANGE
	681C	To be specified
CONNECTION OF LEAD PIPE	-0	1/2"NPT (F)
	-1	With Nipple 1/2"NPT
	-2	With Nipple for welding
	-3	To be specified
FLANGE MATERIAL	0	304S.S.
	1	316S.S.
	2	To be specified
MATERIAL OF BOLTS / NUTS	0	Not required
	1	SCM3 / S45C
	2	304S.S.
	3	316S.S.
GASKET MATERIAL	-A	Not required
	-B	Non - Asbestos sheet
	-C	Vortex gasket (Non - Asbestos)
	-D	To be specified
FLANGE CONNECTION	A	ANSI / JPI
	B	JIS
	C	DIN
	D	To be specified
PRESSURE RATING OF FLANGE	A	150lb / 10K / PN16
	B	300lb / 20K / PN25
	C	To be specified
PIPING SIZE (See Table 1)	-020	3/4" (20 mm)
	-350	14" (350 mm)
	-XXX	To be specified

ORIFICE RING (CORNER TAPS)

ITEM	CODE	SPECIFICATION
MODEL	682A	ORIFICE RING (WITHOUT PLATE)
	682B	ORIFICE RING WITH PLATE ASSEMBLY
	682C	To be specified
CONNECTION OF LEAD PIPE	-0	1/2"NPT (F)
	-1	With Nipple 1/2"NPT
	-2	With Nipple for welding
	-3	To be specified
MATERIAL OF ORIFICE RING	0	304S.S.
	1	316S.S.
	2	To be specified
FLANGE ASSEMBLY	0	Not required
	1	Required
MATERIAL OF BOLTS / NUTS	-A	Not required
	-B	SCM3 / S45C
	-C	304S.S.
	-D	316S.S.
GASKET MATERIAL	-A	To be specified
	A	Not required
	B	Non - Asbestos sheet
	C	Vortex gasket (Non - Asbestos)
FLANGE CONNECTION	D	To be specified
	A	ANSI / JPI
	B	JIS
	C	DIN
PRESSURE RATING OF FLANGE	D	To be specified
	A	150lb / 10K / PN16
	B	300lb / 20K / PN25
	C	To be specified
PIPING SIZE (See Table 1)	-020	3/4" (20 mm)
	-400	16" (400 mm)
	-XXX	To be specified