



FLOW SWITCHES

PADDLE DISPLACED TYPE

649

SPECIFICATIONS

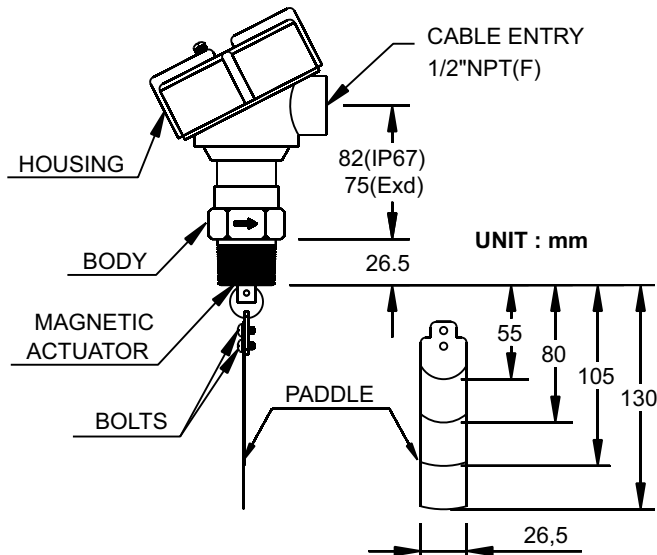
- Pipe size : 1" to 6" suitability
- Operating temp. : Max. 120°C
- Operating pressure : Max. 20 kg/cm²G
- Pressure drop. : Max. 0.2 kg/cm²G
- Contact form : SPST / SPDT
- Contact rating : 70W / VA , 250V AC/DC
- Set point tolerance : ± 25%
- Repeatability : ± 5%
- Material : Paddle / 301SS or 430SS or Specified
Magnetic actuator / PVDF or PTFE
Body / 304SS or 316SS
Hosing / Aluminium alloy or 316SS



MODEL SELECTIONS

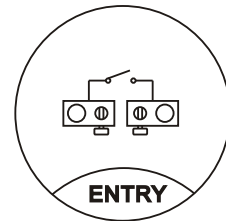
ITEM	CODE	SPECIFICATIONS	
① MODEL	649A	FLOW SWITCH FOR GENERAL PURPOSE (≤ 1.0 MPa)	
	649B	FLOW SWITCH FOR HIGH PRESSURE VERSIONS (> 1.0 MPa)	
	649C	OEM VERSIONS	
② FLOW DIRECTION	-0	Horizontal	-2 Top to bottom
	-1	Bottom to top	-3 Undetermined
③ PROCESS CONNECTION	0	1"NPT	
	1	1"PT	
	2	To be specified	
④ MATERIAL OF BODY / PADDLE	0	304SS / 301SS	
	1	316SS / 301SS	
	2	To be specified	
⑤ CONTACT FORM	-A	SPST-NO	-C SPDT
	-B	SPST-NC	-D To be specified
⑥ CONTACT RATING	A	70W / VA , 250VAC / DC, 1A Carrying current	
	B	To be specified	
⑦ CABLE ENTRY	A	½"NPT(F)	
	B	To be specified	
⑧ MATERIAL / PROTECTION FOR ELECTRIC HOUSING	A	ADC with epoxy coating / IP67	
	B	316SS / IP67	
	C	ADC with epoxy coating / Exd II B T4 , IP67	
	D	316SS / Exd II B T4	
	E	To be specified	

DIMENSIONS (mm)

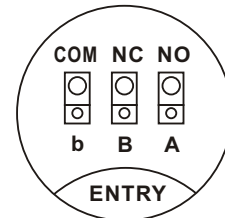


WIRING CONNECTION

■ SPST



■ SPDT



ACTUATION & FLOW RATE

■ Water at 15°C and SpGr.1.0 -LPM

PADDLE LENGTH	55mm	80mm	105mm	130mm
PIPE LINE SIZE	ON / OFF	ON / OFF	ON / OFF	ON / OFF
1" (25A)	15~20			
1¼" (32A)	25~35			
1½" (40A)	35~45			
2" (50A)	45~65			
2½" (65A)	50~75			
3" (80A)	60~80	60~90		
4" (100A)		90~120	150~200	
6" (150A)			200~300	250~420

DOERS TECHNOLOGY CORPORATION

4F, NO. 1, LANE 11, TZU CHIANG STREET, TU-CHENG INDUSTRIAL PARK, TAIPEI COUNTY, TAIWAN 23678

Http : //www.doers.com.tw

e-mail : doers.tech@msa.hinet.net

TEL : 886-2-22682689

FAX : 886-2-22681248

