



FLOW METERS 640

VARIABLE AREA TYPE & COMPACT DESIGN SERIES

FEATURES

- FREE FLOW DIRECTION
- LEAKPROOF SEALING DESIGN
- RIGID & COMPACT BODY
- LINEAR SCALE INDICATION
- ADJUSTABLE ALARM CONTACT CAN BE ADDED
- ANTICORROSIVE MATERIALS
- QUICK DELIVERY & LOW COST



APPLICATIONS

- COOLING WATER LINES
- PURE WATER LINES
- ULTRA PURE WATER LINES
- SEWAGE PLANTS
- CHEMICAL PROCESSING PLANTS
- CAN ASSEMBLE TO MACHINERY
- WASTE WATER TREATMENT PLANTS
- LUBRICATION OIL LINES
- FLOW MEASURING FOR OTHER FLUIDS

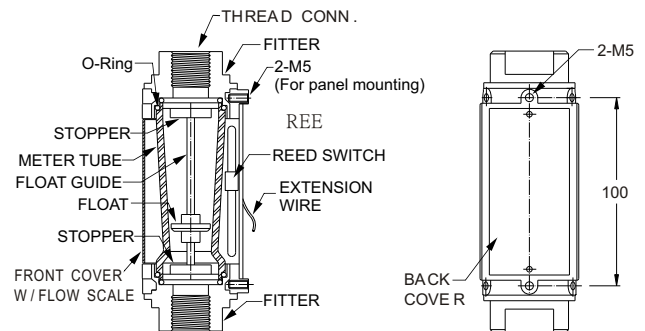
PRINCIPLE

The 640 series flowmeter is one kind of variable area flowmeters. When the fluid flows through the meter tube from inlet to outlet, the position of the float will change according to different flow rates. In consequence of the principal that hydraulic forces are always balanced by the opposing forces (float weight included), the float will move up and down until the differential pressure between inlet and outlet is balanced. The flow value will be indicated and able to read from the scale of meter.

STANDARD SPECIFICATIONS

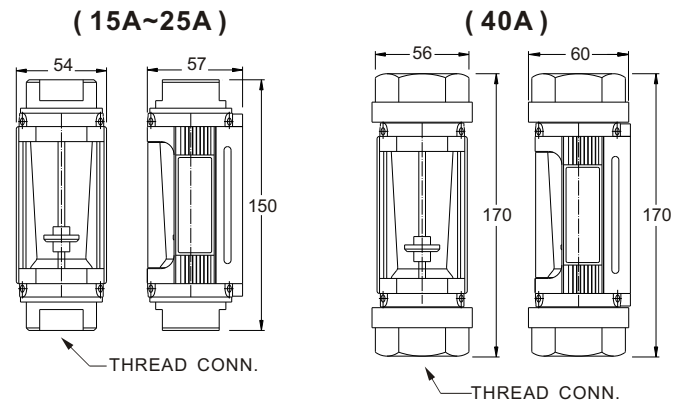
ITEMS	SPECIFICATION
APPLICABLE FLUID	Water, Gases or viscosity less than 400cPs liquids as next page
OPERATING TEMP.	80°C at 1.0MPa max.
OPERATING PRESS.	Less than 1.0MPa max.
LEAK TEST	Up to 2.5MPa at 20°C in water keep three hours
INDICATION ACCURACY	±5.0%F.S.
SCALE LENGTH	More than 50mm (Printed on the front cover)
ALARM CONTACT	Reed switch with extension wire (0.5M)
CONTACT FORM & RATING	SPST 10W DC100V/AC125V max.
ALARM SETTING ACCURACY	±5.0%F.S. adds error (±5.0%F.S.) when the float rising and falling
STRUCTURE	Leakproof sealing between meter tube and fittings.

STRUCTURE

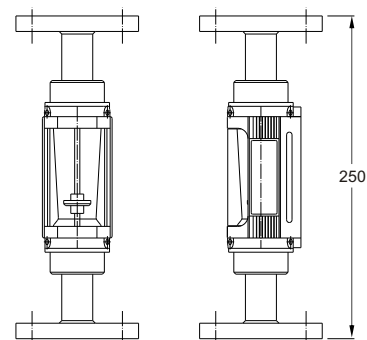


DIMENSIONS

THREAD CONNECTION



FLANGE CONNECTION (OPTIONAL)



MODEL SELECTION

ITEMS	CODE	SPECIFICATIONS								
① MODEL	640A	FLOWMETER (FOR INDICATING ONLY)								
	640B	FLOWMETER WITH ALARM DEVICE, 1 POINT PROVIDED								
	640C	FLOWMETER WITH ALARM DEVICE, 2 POINT PROVIDED								
	640D	OEM VERSIONS								
② FLOW DIRECTION	-0	Bottom to Top				-1	Left to Right			
	-2	Right to left				-3	Undetermined			
	0	NPT female thread				1	Rc (PT) female thread			
③ PROCESS CONNECTION	2	ANSI 150 ^{lb} RF (Flange connection)				3	Specially specified			
	④ MATERIALS	CODE	FITTINGS	FLOAT	FLOAT GUIDE	METER TUBE	O-RING SEAL	HOUSING	STOPPER	
0		304SS	304SS	304SS	PCT	Buna-N	Aluminium alloy with epoxy painted	PCT		
1		316SS	316SS	316SS		Viton-A				
2		PVC	304SS	FEP Covered						
3		PP	PP	None	PFA	FPM	304SS	PVDF		
4		PVDF	PVDF	None	PFA	FPM	304SS	PVDF		
5	Specially specified									
⑤ SCALE RANGE	-A	0.3~3L/min, 0.2L/min graduation divided								
	-B	0.5~5L/min, 0.5L/min graduation divided								
	-C	1~10L/min, 1.0L/min graduation divided								
	-D	2~20L/min, 2.0L/min graduation divided								
	-E	3~30L/min, 2.5L/min graduation divided								
	-F	5~50L/min, 2.5L/min graduation divided								
	-G	6~60L/min, 5.0L/min graduation divided								
	-H	8~80L/min, 5.0L/min graduation divided								
	-I	10~100L/min, 5.0L/min graduation divided								
	-J	Specially specified								
⑥ SWITCH FORM	A	Not required (for 610A suitability)				B	SPST-NO (unlatching)			
	C	SPST-NC (unlatching)				D	Specially specified			
⑦ METER SIZE	A	15A (1/2")		B	20A (3/4")		C	25A (1")		
	D	40A (1-1/2")				E	Specially specified			

AVAILABLE LIQUIDS FOR THE METER TUBE (PCT MATERIAL)

LIQUIDS (Test at 20°C)	DURABILITY	LIQUIDS (Test at 20°C)	DURABILITY	LIQUIDS (Test at 20°C)	DURABILITY
Acetic acid 5%	●	Ethanol	●	Olive oil	●
Acetone	×	Ethyl acetate	×	Oleic acid 98%	●
Alconox detergent 25%	●	Hexane	●	Sodium carbonate 2%	●
Citric acid 98%	●	Hydrogen peroxide 28%	▲	Sodium hydroxide 10%	●
Cottonseed oil	●	Methanol	●	Sodium hydroxide 3.5%	●
Distilled water	●	Mineral oil	●	Toluene	×
Dichlormethane	×	Soap solution 1%	●		

●—Suitable : ▲—Unsatisfying : ×—Unsuited

DOERS TECHNOLOGY CORPORATION

4F, NO. 1, LANE 11, TZU CHIANG STREET, TU-CHENG INDUSTRIAL PARK, TAIPEI COUNTY, TAIWAN 23678

Http : //www.doers.com.tw

e-mail : doers.tech@msa.hinet.net

TEL : 886-2-22682689

FAX : 886-2-22681248

