



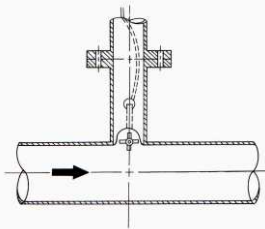
FLOW INDICATOR 605

INSERTED ROTOR TYPE LIQUID APPLICATIVE

- HIGH SAFETY & RELIABILITY
- RIGID CONSTRUCTION
- EASY INSTALLATION & MAINTENANCE
- CORROSIVE RESISTANT BODY
- MEASURING SIZE FROM 0.5" TO 28"
- FLOW DIRECTION SELECTABLE
- ACCURACY $\pm 1.0\%$ F.S.

GENERAL SPECIFICATIONS

OPERATING PRINCIPLE



When the liquid flows through the bladed rotor, the sensor rotates with a coil to generate a sine wave signal output. Then the amplifier converts the signal which comes from the sensor into a potentiometer to indicate flow rate.

FLOW TUBE

MEASURING SIZE	1/2"~28" (CODE : 015~700)
CONNECTION	ANSI 150# or Specially specified
FLOW DIRECTION	Horizontal or Vertical
INSTALLATION LENGTH	300mm or specially specified
MATERIALS	1.4301, 1.4571, PVC, PVDF or Specially specified
OPTIONAL	Valve, series 990 Extension sensor, series 600

INDICATOR & HOUSING

DISPLAY	Analog display type of potentiometer
SCALE RANGE	0~100% or specially specified
DAMPING	1~8 sec. adjustable
FREQUENCY	300 Hz / M / sec max.
ACCURACY	$\pm 1.0\%$ F.S.
HOUSING	1.4301 base plate with ABS resin cover
STRUCTURE	Water-proof IP65

FLOW RATE & SIZE SELECTION Table 1

CODE	METER SIZE	FLOW RATE (M ³ /H)		CODE	METER SIZE	FLOW RATE (M ³ /H)	
		AVAILABLE	STD.			AVAILABLE	STD.
015	1/2"	0.2~4.5	2.0	150	6"	20~450	200
020	3/4"	0.3~9.0	4.0	200	8"	30~700	300
025	1"	0.5~14	6.0	250	10"	50~1200	500
040	1-1/2"	1.5~35	15	300	12"	75~1900	800
050	2"	2.0~60	25	350	14"	100~2600	1100
065	2-1/2"	3.0~90	40	400	18"	150~3500	1500
080	3"	5.0~140	60	500	20"	220~5200	2200
100	4"	8.0~230	100	600	24"	300~7000	3000
125	5"	11~330	150	700	28"	420~9800	4200

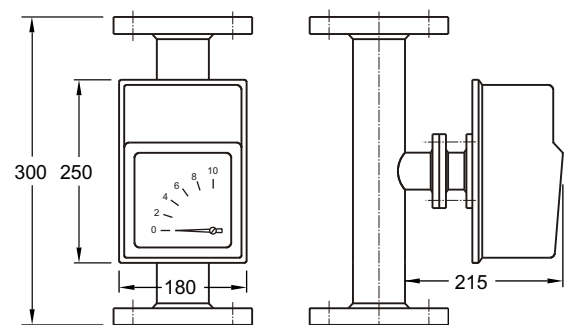
If the flow range is not specified, we will use the STD range in the table above as the calibration range before shipping.



FLOW SENSOR SPECIFICATIONS

CODE		0	1	2
ITEMS				
FLOW VELOCITY		0.3~6 M/sec	0.1~6 M/sec	0.5~6 M/sec
OUTPUT FREQUENCY		15 Hz/M/sec	50 Hz/M/sec	35 Hz/M/sec
OUTPUT SIGNAL		3V P-P/M/sec	Open collector sinking	260 mV/M/sec
REPEATABILITY		$\pm 0.5\%$ F.S.		
LINEARITY		1% F.S.		
POWER SUPPLY		Not Required	3.3~24VDC 1.5~20mA	Not Required
CABLE LENGTH		60m max.		
MATERIAL	BODY	PVDF		316SS
	ROTOR	PVDF		CD4MCu
	SHAFT	Ceramic	Hastelloy C	316SS
	BEARING			Fluoridoy
	O-RING	Viton		
SOLID LIMITED		5% max.		10% max.
OPERATING TEMPERATURE		105°C max.	85°C max.	150°C max.
OPERATING PRESSURE		2.0 Mpa max.	1.4 MPa max.	10 MPa max.
VISCOSITY		400 cPs		
UNSUITED FLUID		Ferrous, Abrasive Fiber, filament or Crystalliferous liquid.		

DIMENSIONS (m/m)

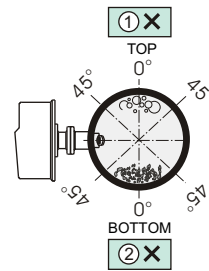


MODEL SELECTION

ITEMS	CODE	SPECIFICATIONS	
① MODEL	605A	FLOW INDICATOR	
	605B	OEM Versions	
② SCALE RANGE	-0	0~100%	
	-1	To be specified	
③ MATERIAL & FLOW VELOCITY OF SENSOR	0	PVDF / 0.3~6M/sec (standard)	
	1	PVDF / 0.1~6M/sec	
	2	316SS (1.4571) / 0.5~6M/sec	
	3	To be specified	
④ MATERIAL OF FLOW TUBE	0	304SS	1 316SS
	2	PVC	3 PP
	4	PVDF	5 To be specified
	⑤ PROCESS CONNECTION	-A	ANSI 150# Flange
	-B	JIS 10K Flange	
	-C	To be specified	
⑥ FLOW DIRECTION	A	Horizontal	
	B	Vertical	
	C	Undetermined	
⑦ INSTALLATION LENGTH	A	Standard	
	B	To be specified	
⑧ INDICATOR HOUSING	A	Standard	
	B	To be specified	
⑨ METER SIZE	-015	15A (1/2")	
	}	}	
	-700	700A (28")	

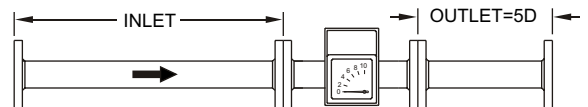
INSTRUCTIONS

THE COUNTERPLOT FOR HORIZONTAL PIPE



The sensor is unsuitable to install vertically (0°). When bubbles occur at the top of horizontal piping, there are sediments at the bottom of the pipe, and must be installed to $\pm 45^\circ$.

POSITION & LOCATION



OBSTACLE OF INLET	INLET LENGTH OF STRAIGHT PIPE
FLANGE / SOCKET	10D
REDUCER	15D
BUTTERFLY / BALL VALVE	15D
ELBOW / TEE	20D
PUMP / GLOBE / GATE VALE	50D

DOERS TECHNOLOGY CORPORATION

4F, NO. 1, LANE 11, TZU-CHIANG STREET, TU-CHENG INDUSTRIAL PARK, TAIPEI COUNTY, TAIWAN 23678

<http://www.doers.com.tw>

E-mail : doers.tech@msa.hinet.net

TEL : 886-2-22682689

FAX : 886-2-22681248

