



MAGNETIC SWITCH

USED FOR LEVEL/FLOW/POSITION DETECTING

528 529

FEATURES

- HIGH PERFORMANCE & COMPACT DESIGN
- HIGH RELIABILITY & SMALL MOTION GAP
- EASY INSTALLATION & REPLACEMENT
- WITH KNOB TO QUICK SETTING AT FIELD SITE
- LEVEL GAUGE OF 562/563/564 SERIES OR FLOWMETER OF 640/643 SERIES ARE SUITABLE & COMPATIBLE

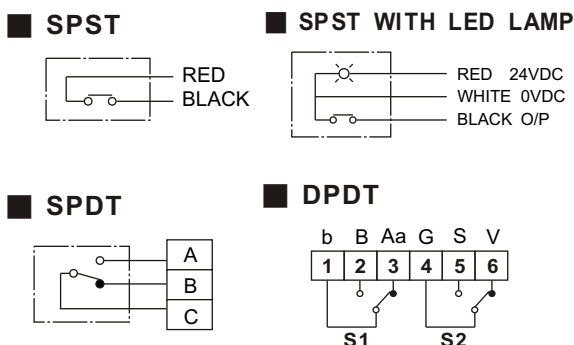


SPECIFICATIONS

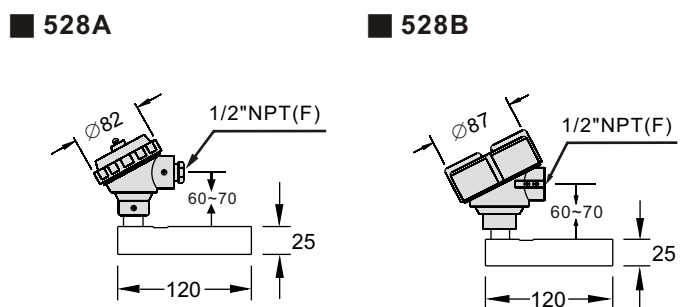
ITEMS	SPECIFICATIONS						
	528A	528B	529A	529B / C	529D	529E	529F
MODEL NO.	528A	528B	529A	529B / C	529D	529E	529F
MAIN TYPE & DESIGN	High performance version			Compact version			
CONTACT FORM	SPST or SPDT / latching or unlatching						
SWITCHING CAPACITY	80W max.			70W max.			
SWITCHING CURRENT	1.0A max.			0.7A max.			
SWITCHING VOLTAGE	220V AC/DC						
ON-OFF GAP	12 mm			6 mm			
REPEATABILITY	±1.5 mm			±2 mm			
SENSITIVITY	10mm max.						
ELECTRIC PROTECTION	Surge prevention or options (See model selection)						
HOUSING MATERIAL	Aluminum alloy with polyester epoxy painted		304SS	FR-Nylon with glass fiber			
HOUSING RATING	IP67	Equivalent to NEMA 4X Exd II C T6 IP67 Approved		IP67			
CABLE ENTRY	1/2" or 3/4"NPT or specified		None ; With lead cable				
OPERATING TEMP.	-10~120°C (Standard) ; With insulation blankets (≤350°C max.)						
MOUNTING KITS	With mounting clamp		With set screw or mounting clamp	With set screw or knob or mounting clamp	With guide-rod & mounting brackets	With mounting clamp	With set screw
MOUNTING KITS MAT'L	All 304SS or 316SS (Optional)						

⑤ LEVEL

WIRING CONNECTIONS

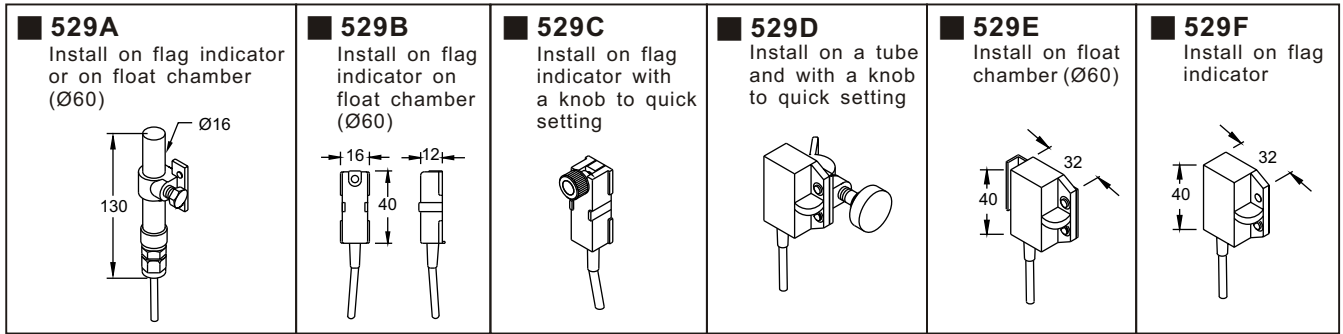


EXTERNAL VIEW & MOUNTING STYLE



※ INSTALL ON FLOAT CHAMBER (Ø60)

EXTERNAL VIEW & MOUNTING STYLE



MODEL SELECTIONS

LEVEL 5

ITEMS	CODE	SPECIFICATIONS			
① MODEL 528 – HOUSING WITH TERMINAL BLOCKS 529 – WITH LEAD CABLE	528A	IP67 / High performance version / Aluminum housing			
	528B	Exd IIC T6 / High performance version / Aluminum housing			
	529A	IP67 / High performance version / Install on float chamber or flag indicator 562 type			
	529B	IP67 / Compact version / Install on float chamber or flag indicator of 562 type			
	529C	IP67 / Compact version with knob / Install on flag indicator of 562 type			
	529D	IP67 / Compact version / Install on a tube Ø14 and with a knob for quick setting			
	529E	IP67 / Compact version / Install on float chamber			
	529F	IP67 / Compact version / Install on flag indicator of 562 type			
	529G	To be specified			
② CABLE ENTRY (528) OR LEAD CABLE (529)	528 series		529 series		
	–0	1/2"NPT(F)	–1	1 meter	
	–1	3/4"NPT(F)	–2	2 meters	
	–2	To be specified	–9	9 meters	
③ CONTACT FORM	0	SPST–NO , Latching switch	3	SPST–NO , Unlatching switch	
	1	SPST–NC , Latching switch	4	SPST–NC , Unlatching switch	
	2	SPDT , Latching switch	5	SPDT , Unlatching switch	
	6	DPDT , Latching switch	7	To be specified	
	0	Standard	1	To be specified	
④ CONTACT RATING	0	Standard	1	To be specified	
	⑤ HEAT INSULATOR	–A	Not required (-10~100°C operating temp.)		
		–B	With heat insulation (≤150°C)		
		–C	With heat insulation (≤200°C)		
		–D	With heat insulation (≤350°C)		
–E		To be specified			
⑥ ELECTRICAL PROTECTION	A	Not required			
	B	With RC for capacitive load & Surge prevention			
	C	With resistance to current limited for PLCs used (DC system)			
	D	Equivalent to NAMUR / Ex ia IIC T6 (DC system)			
	E	To be specified			
⑦ SYSTEM VOLTAGE	A	24V DC	C	220V AC	
	B	110V AC	D	Without RC parts	
	E	To be specified			
⑧ LAMP DISPLAY (For model 529B/C/D /E/F available)	A	Not required	C	Red LED for 24VDC system power	
	B	Green LED, for 24VDC system power	D	To be specified	

DOERS TECHNOLOGY CORPORATION

4F, NO. 1, LANE 11, TZU CHIANG STREET, TU-CHENG INDUSTRIAL PARK, TAIPEI COUNTY, TAIWAN 236

Http:www.doers.com.tw

E-mail:doers.tech@msa.hinet.net

TEL : 886-2-22682689

FAX : 886-2-22681248

The specifications are subject to change without prior notice.



M2K1508-1901