

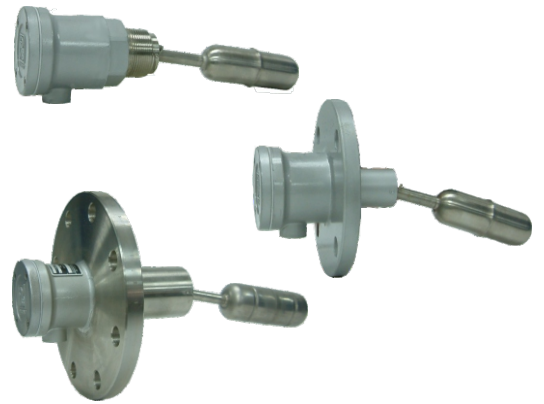


LEVEL SWITCHES 500

SWINGING FLOAT TYPE

FEATURES

- EASY INSTALLATION
- FREE OF MAINTENANCE
- SAFE , RIGID CONSTRUCTION
 - The electric element of level switch is completely isolated from the liquid
- HIGH RELIABILITY
 - UL-proved micro switch element with accurate precision can be used up to 1 million times.
- OPERATING TEMPERATURE UP TO 350°C

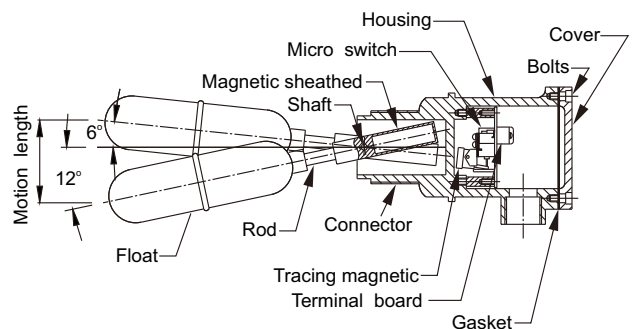


SPECIFICATIONS

CONTACT FORM	1ab (SPDT)
CONTACT RATING	125 / 250V AC 5A 8 ~ 30V DC 5A
VISCOSITY	Less than 200 cps
PRESSURE RATING	1.0MPa / 10 kgf/cm ² G (St'd) 7.0MPa / 70 kgf/cm ² G max.
AMBIENT TEMPERATURE	80°C max.
STANDARD CONNECTION	500 1½"NPT , PT 501 1½" ANSI 150# RF 502 2" ANSI 150# RF 503 3" ANSI 150# RF 504 3" ANSI 150# RF
CONDUIT CONNECTION	1/2"NPT(F)
ON-OFF MOTION LENGTH	30±3mm for standard rod
STANDARD MATERIAL	Float / 304SS Rod of float / 316SS Shaft / 304SS Magnetic sheathed / 304SS Connector (thread / flange) / 304SS Housing and cover / 304SS

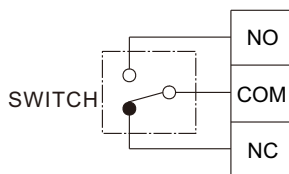
GENERAL OPERATING PRINCIPLE

The 500 series is a device for control of liquid at low or high magnetic level. It utilizes a magnetic sensor in order to detect the liquid level , thereby attaining its objective of control. It is suitable for liquid control in tanks and vessels , etc.

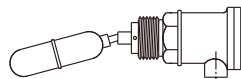


5 LEVEL

WIRING CONNECTION

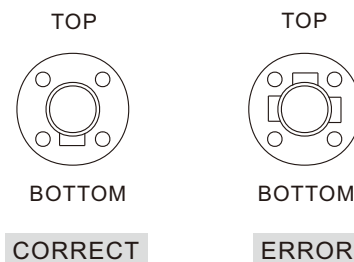


- Normal state :
The float is down and isolated from all liquids.



- NC (Normal close) / NO (Normal open)
When the switch contact is under normal state , the contact is electrified / de-electrified.

CONDUIT CONNECTION

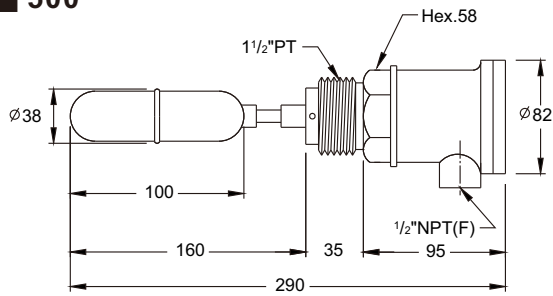


CAUTION

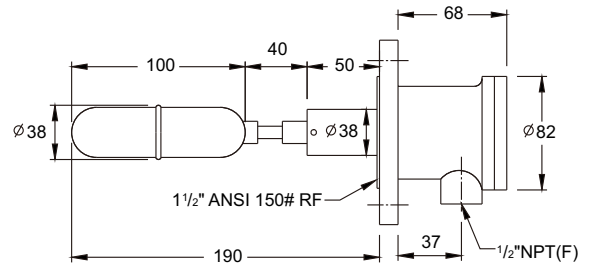
Always keep the cable entry face down should be in any occasion.

DIMENSIONS (IN m/m)

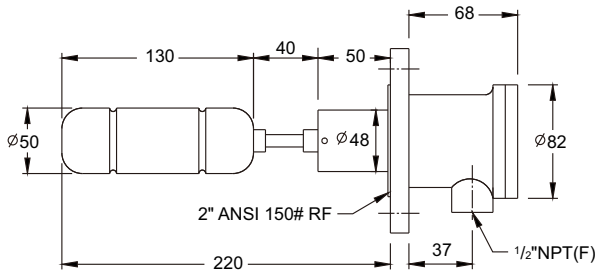
500



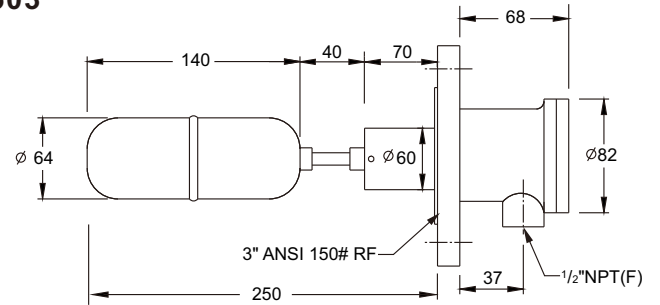
501



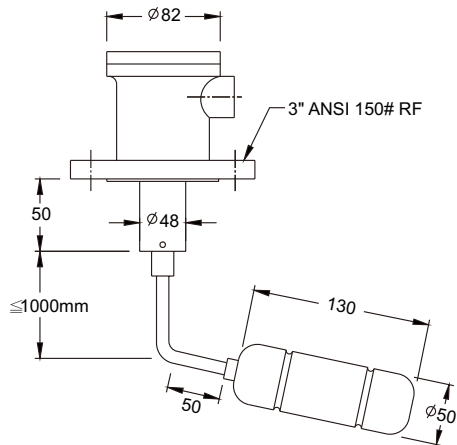
502



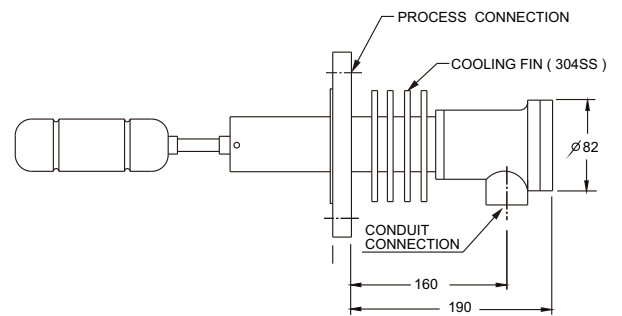
503



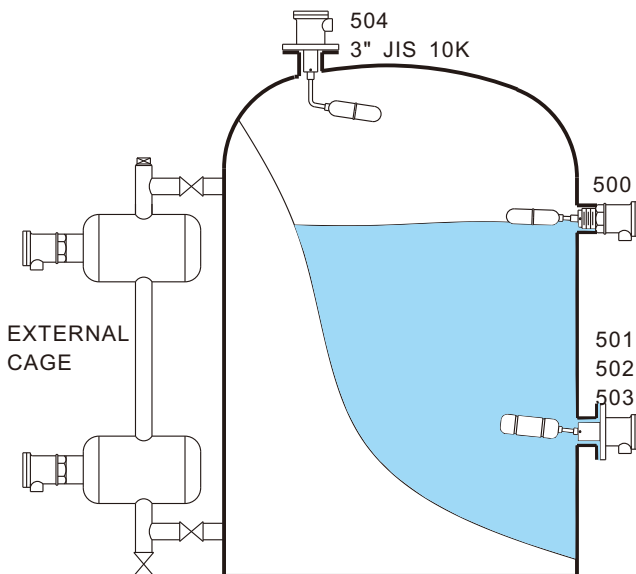
504



WITH A COOLING FIN VERSION



APPLICATIONS



OPTIONAL

SHELTER COVER

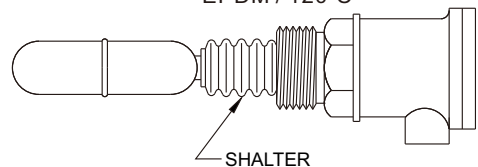
Available : 500 / 501 / 502

Application : For liquids which contain solid to be level detected

Material : CR or EPDM

Temp. Rating : CR / 90°C

EPDM / 120°C



EXTERNAL CAGE FOR ALL

Available : 500 / 501 / 502 / 503

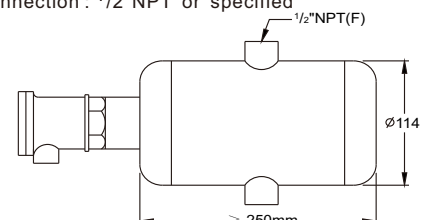
Application : Used for high temperature or tanks with mixers to be detected

Material : 304SS, 316SS, or specified

Pressure rating : 7 MPa max.

Operating temp. : 400°C max. for tanked

Connection : 1/2 inch NPT or specified



MODEL SELECTIONS

ITEMS	CODE	SPECIFICATIONS						
① MODEL	500	THREAD CONNECTION , 1½"NPT , PT ARE AVAILABLE & SP.GR. ≥0.7						
	501	FLANGE CONNECTION , 1½"~4" ARE AVAILABLE & SP.GR. ≥0.7						
	502	FLANGE CONNECTION , 2"~4" ARE AVAILABLE & SP.GR. ≥0.6						
	503	FLANGE CONNECTION , 3"~4" ARE AVAILABLE & SP.GR. ≥0.5						
	504	TOP MOUNTED FLANGE TYPE , 3"~4" ARE AVAILABLE & SP.GR. ≥0.5						
	505	OEM VERSION						
② COOLING FIN	A	Not required (Less than 100°C of operating temp. / Transient temperature up to 150°C)						
	B	Required (Less than 350°C of operating temp.)						
	C	To be specified						
③ CONNECTION	CODE	500	501	502	503 / 504			
	-0	1-1/2" NPT	1-1/2" ANSI 150# RF	2" ANSI 150# RF	3" ANSI 150# RF			
	-1	1-1/2" PT	1-1/2" ANSI 300# RF	2" ANSI 300# RF	3" ANSI 300# RF			
	-2	2" NPT	2" ANSI 150# RF	3" ANSI 150# RF	4" ANSI 150# RF			
	-3	2" PT	2" JIS 300# RF	2" ANSI 300# RF	4" ANSI 300# RF			
	-4	To be specified						
④ OPERATING PRESSURE	0	≤ 1.0MPa (10 kg/cm²G ; 10 barG)						
	1	≤ 2.0MPa (20 kg/cm²G ; 20 barG)						
	2	To be specified						
⑤ MATERIALS	CODE	FLOAT	ROD OF FLOAT	SHAFT	MAGNETIC SHEATHED	CONNECTOR (Flange / Thread)	HOUSING & COVER	
	0	316SS	304SS	304SS	304SS		304SS	
	1	316SS	316SS	316SS	316SS	304SS	316SS	
	2	To be specified						
⑥ SHAFT LENGTH (Insertion length)	-A	Standard						
	-B	To be specified						
⑦ CONSTRUCTION / PROTECTION CLASS	A	Water-proof IP67						
	B	Explosion-proof Exd II B T4 , IP67 (CODE : 1080SE)						
	C	To be specified						
⑧ SHELTER (OPTIONAL)	A	Not required						
	B	Required						
⑨ EXTERNAL CAGE (OPTIONAL)	A	Not required						
	B	Required						
⑩ EXTRA TREATMENT	/A	Not required						
	/B	Special finished						
	/C	To be specified						

ORDERING EXAMPLE

501
A
-
0
0
0
-
A
A
A
A
/
A

1
2
3
4
5
6
7
8
9
10

The specifications are subject to change without prior notice.

DOERS TECHNOLOGY CORPORATION

4F, NO. 1, LANE 11, TZU CHIANG STREET, TU-CHENG INDUSTRIAL PARK, TAIPEI COUNTY, TAIWAN 23678

Http : //www.doers.com.tw

e-mail : doers.tech@msa.hinet.net

TEL : 886-2-22682689

FAX : 886-2-22681248



ISO 9001:2008
Registration No : QA080308

01C-500-1715-04A