



POT/I CONVERTERS 330A

PROGRAMMABLE FUNCTION / LCD DISPLAY

FEATURES

- SUITABLE FOR POTENTIOMETER / RESISTANCE LEVEL INPUT
- ONE TOUCH AUTO-CALCULATION FOR MEASURE UNIT
- LOOP POWERED / RANGE AUTO-DIAGNOSIS
- ZERO / SPAN OFFSET COMPENSATION
- PROGRAMMABLE LINEARIZATION
- INPUT / OUTPUT ISOLATION
- ARMORED ENCLOSURE FOR EXTRA PROTECTION
- STANDARD CE QUALITY
- POSITION OF DISPLAY (INNER HOUSING) 90° ADJUSTABLE AT FIELD SITE
- SUITABLE FOR EITHER INTEGRATED OR REMOTE TYPE



SPECIFICATIONS

■ LCD DISPLAY

Range display : 5 Digits (0~99000) , 9mm^H
 Programming : 8 character , 5mm^H
 Measure unit : %,M,CM,MM,FEET,INCH
 Decimal : Automatic shift of position and calculation upon change of measuring unit

Display update : 1~9 sec selectable
 Display window : Ø64mm

■ LED LAMPS

Error warning : "PE" lamp for polarity error display of loop powered

Alarm message : "PO" lamp indicating excess of range / output

■ INPUT SIGNAL

Measuring range : 0~30KΩ , 3-wire type
 Sensor sliding scale : ≥2KΩ
 Signal characteristic : Linear or non-linear acceptable
 Zero / span : Auto scaling for linear signal input

Linearization : 10 steps linearization with auto or manual setting

Zero / span offset : -100~100Ω adjustable

■ ANALOG OUTPUT

Current signal : 4~20mA DC , 2-wire system
 Load : 600Ω@ 24V DC
 Damping : 1~9 sec. selectable
 Calibration : Zero / span offset and linearity calibration capacity

Accuracy : ±0.15% FS(without sensor error)
 Zero / span offset : -100~100Ω adjustable

■ DIGITAL OUTPUT (DO)

Usage : Used for "HI-LIMIT" alarm output
 Signal type : Open collector

Pull high : ≥10KΩ
 Drop current : Less than 2mA
 Pull voltage : 20V max

■ GENERAL

Loop power : 10~36 V DC
 Elec. protection : When the loop polarity is error , the warning lamp will be turned on and the circuit will be protected by shockproof function and equivalent to Ex ia IIC T6 performance

Drift prophylaxis : Range of Zero/span are compensable

Sensor connection : ½" NPT (F)
 Conduit connection : ½" NPT (F), 2 holes
 Inner housing : Made with ABS black resin consists of electrical circuit and terminal block which becomes a complete unit, mounting to armored metal housing. Fixing position is 90° adjustable at field site.

Armored housing : Made with low copper aluminium alloy and polyester epoxy painting, suitable for integrated type (sensor directly connected) or separate type (installation of converter on stanchion). The protection rating is equivalent to Exd IIB T4 & Ip67

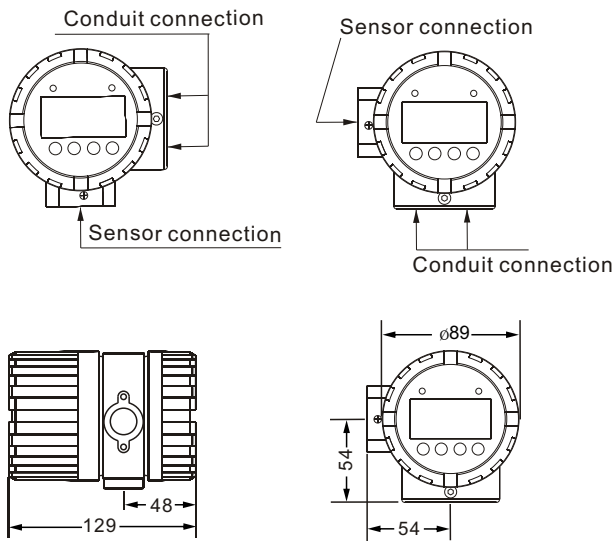
Ambient temp. : -10~+60°C & less than 90%RH
 Optional accessory : With a mounting bracket for remote type

DIMENSIONS

mm

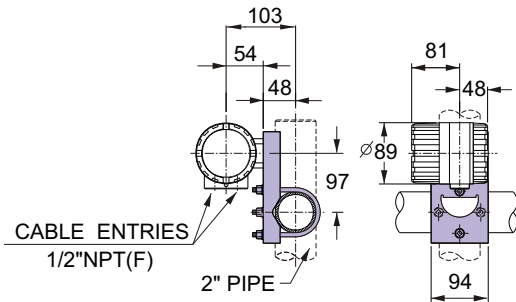
■ 330A-□□□-A

■ 330A-□□□-B



Note : The connection position of sensor is changeable at field site if necessary

■ MOUNTING BRACKET FOR REMOTE CONVERTER



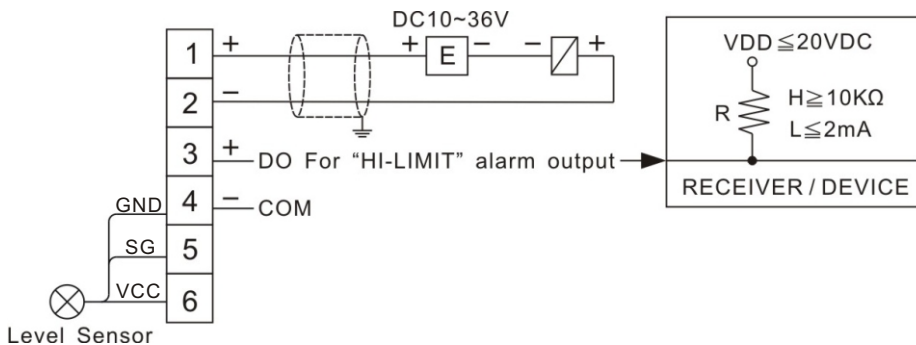
Note :

Both indicating meter and mounting bracket of converter can be rotated by 90° and are suitable to be mounted on vertical / horizontal pipe.

MODEL SELECTION

ITEMS	CODE	SPECIFICATIONS
① MODEL	330A-0	POT / I CONVERTER (WITHOUT LCD DISPLAY)
	330A-1	POT / I INDICATING CONVERTER (WITH LCD DISPLAY)
	330C-2	OEM / ODM VERSIONS
② OUTPUT SIGNAL	0	4~20mA DC, 2-wire system
	1	4~20mA DC + DO alarm output
	2	To be specified
③ ARMORED HOUSING	0	Low copper aluminum alloy w/polyester epoxy painted
	1	Made with 316SS armored housing
	2	To be specified
④ CONNECTION OF SENSOR	-A	1/2"NPT (F) on the bottom of housing
	-B	1/2"NPT (F) on the side of housing
	-C	To be specified
⑤ CONNECTION OF CONDUIT	A	1/2"NPT (F), 2 holes, (Standard)
	B	To be specified
⑥ ENCLOSURE/ ELECT. PROTECTION	A	IP67 (Standard)
	B	Exd II B, T4, IP67
	C	Exia, IIC T6, IP67
	D	To be specified
⑦ MOUNTING BRACKET	A	Not required
	B	Required (Remote type)

WIRING CONNECTIONS



The specifications are subject to change without prior notice.

DOERS TECHNOLOGY CORPORATION

4F, NO. 1, LANE 11, TZU CHIANG STREET, TU-CHENG INDUSTRIAL PARK, TAIPEI COUNTY, TAIWAN 23678

Website : www.doers.com.tw

E-mail: doers.tech@msa.hinet.net

TEL : 886-2-22682689

FAX : 886-2-22681248

