



PC PROGRAMMABLE SIGNAL CONDITIONER 360

FEATURES

- PC PROGRAMMABLE
- UP TO 100 POINTS CALIBRATION
- PROVIDING A LINEAR OUTPUT OR NONLINEARITY OUTPUT
- SQUARE ROOT EXTRACTING FOR DP FLOW TRANSMITTER
- IRREGULAR-SHAPED TANK LEVEL INPUT FOR VOLUME MEASUREMENT

GENERAL SPECIFICATIONS

Linearization : 100 points max. within the range of -15 ~ +115% input or output ; represented as percentage of full-scale (No table setting is done at shipping. [gain = 1])

Programming : downloaded from PC ; input range, output range, zero and span, simulating output, linearization table, etc.

Status indicator LED : flashing patterns indicate different operating status of the transmitter.

Manual zero / span adjustments : See Front View.

Overrange output : approx. -15 ~ +115%
(Negative current output is not provided.)

Isolation : input to output to power

Construction : plug-in

Configurator connection : 2.5 dia. miniature jack ; RS-232C level

Connection : M3 screw terminals (torque 0.8 N·m)

Housing material : flame-resistant resin (black)

MODEL SELECTION

ITEMS	CODE	SPECIFICATIONS
① MODEL	360A	SQUARE ROOT EXTRACTOR
	360B	LEVEL VOLUME CALCULATOR
	360C	Special Specified
② INPUT	- 0	4~20mA DC
	- 1	0~100mV DC
	- 2	1~5V DC
	- 3	To be specified
③ OUTPUT	0	4~20mA DC
	1	0~1V DC
	2	1~5V DC
	3	To be specified
④ POWER SUPPLY	0	85~264V AC
	1	24V DC
	2	To be specified
⑤ COMMUNICATION CABLE (RS-232C)	- A	Not provided
	- B	With cable & connector
	- C	To be specified
⑥ SOFTWARE	A	Not required
	B	Kit provided
	C	Kit & configuration
⑦ OPTIONAL	A	Not required
	B	Field calibration service
	C	To be specified



INPUT & OUTPUT

INPUT

• **DC Current** : 4~20mA DC; shunt resistor attached to input terminals (100Ω , 0.5W)

Operational range : 0~70mA DC

Minimum span : 2mA

Zero suppression : available

• **DC Voltage** : 1~5V DC or special specified

Operational range : -11.5~+11.5V DC

Zero suppression / elevation : available

OUTPUT

• **DC Current** : 4~20mA DC

Operational range : 0~24mA DC

Minimum span : 1mA

Zero suppression : available

Load resistance : Output drive 15V maximum
(e.g. 4~20mV : 750Ω [15V / 20mA])

• **DC Voltage** : 1~5V DC or special specified

Minimum span : 250mV

Zero suppression / elevation : available

Load resistance : Output drive 1mA maximum
(e.g. 1~5V : 5000Ω [5V / 1mA])

PERFORMANCE

Temp. Coefficient

(at -5 to +55°C [23 to 131°F] of I/O range)

Input : ±0.008% / °C (±0.005% / °F) with current
±0.002% / °C (±0.001% / °F) with voltage

Output : ±0.013% / °C (±0.007% / °F)

Response time : ≤0.9 seconds (0~90%)

Line voltage effect : ±0.1% over voltage range

Insulation resistance : ≥100MΩ with 500V DC

Dielectric strength : 2000V AC @1 minute

(Input to output to power to ground)

INSTALLATION

Power input

AC : operational voltage range 85~264V
47~66 Hz, approx. 2.3VA

DC : operational voltage range for R: 24V±10%
approx. 0.9W (ripple 10% p-p max.)

Operating temperature : -30 to +60°C

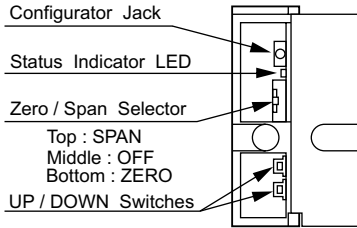
(-22 to +140°F)

Operating humidity : 30 to 90% RH

(non-condensing)

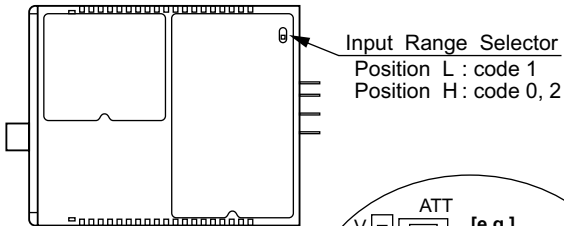
FRONT & SIDE VIEWS

FRONT VIEW (with cover open)

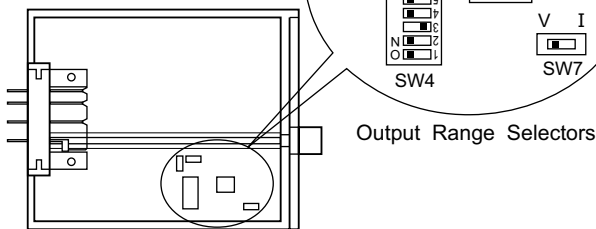


The front cover cannot be turned open by 180 deg. When there is no extra space between units.

RIGHT SIDE VIEW



LEFT SIDE VIEW (with cover removed)



Manual zero / span adjustments : $\pm 5\%$ (set to 0% and 100% respectively at factory)

Zero / span selector

ZERO : UP / DOWN switches usable for zero adjustment.

OFF : UP / DOWN switches unavailable.

SPAN : UP / DOWN switches usable for span adjustment.

UP / DOWN switches

UP : Pressing UP increases adjusted values.

DOWN : Pressing DOWN decreases adjusted values.

(Press both switches at once for resetting zero / span adjustments.)

Input range selector : switching input range between S1 and S2 ranges. Bottom position for current (code 0).

Output range selectors

	SW2				SW3
	1	2	3	4	
1	OFF	OFF	ON	ON	Not ATT
2	OFF	OFF	ON	ON	Not ATT
0	ON	ON	OFF	OFF	Not ATT

	SW4							
	1	2	3	4	5	6	7	8
1	ON	ON	OFF	ON	ON	*	ON	OFF
2	ON	OFF	ON	OFF	ON	*	ON	OFF
0	OFF	OFF	ON	OFF	OFF	OFF	OFF	OFF

	SW6		SW7	
	V	I	V	I
1	ON	OFF	ON	OFF
2	ON	OFF	ON	OFF
0	OFF	ON	OFF	ON

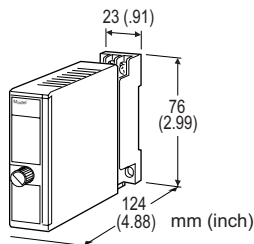
*Do not care.

DIMENSIONS

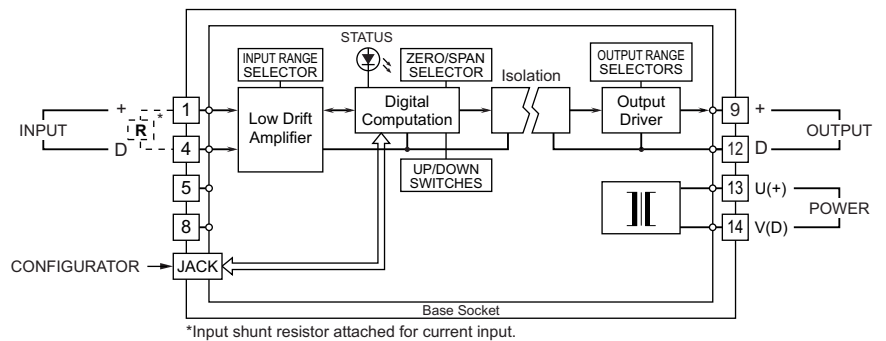
Mounting : surface or DIN rail

Dimensions : W23xH76xD124 mm
(0.91"x2.99"x4.88")

Weight : 120g (0.26 lbs)



SCHEMATIC CIRCUITRY & CONNECTION DIAGRAM



*Input shunt resistor attached for current input.

DOERS TECHNOLOGY CORPORATION

4F, NO. 1, LANE 11, TZU CHIANG STREET, TU-CHENG INDUSTRIAL PARK, TAIPEI COUNTY, TAIWAN 23678

<http://www.doers.com.tw>

E-mail : doers.tech@msa.hinet.net.

TEL : 886-2-22682689

FAX : 886-2-22681248

