



FEATURES

- SUITABLE FOR MAGNETIC PICKUP INPUT OR OPEN COLLECTOR INPUT OR NON-VOLTAGE CONTACT INPUT
- FLOW RATE AND TOTALIZER DISPLAY AVAILABLE
- ANALOG OUTPUT FOR STANDARD FUNCTION OR DUAL (ANALOG/PULSE) OUTPUT FOR SPECIAL REQUEST
- DAMPING & SAMPLING TIME ADJUSTABLE
- ARMORED ENCLOSURE FOR FURTHER PROTECTION
- STANDARD CE QUALITY
- POSITION OF DISPLAY (INNER HOUSING) 90° ADJUSTABLE AT FIELD SITE
- SUITABLE FOR EITHER INTEGRATED OR REMOTE TYPE



SPECIFICATIONS

■ LCD DISPLAY

Flow Rate : 5 Digits,(99999), 9mmH
 Flow Totalizer : 8 Digits,(99999999), 5mmH
 Decimal : 0~4 Selectable
 Display Update : 0.1~9 sec. Selectable
 Measure Unit : Lit/Sec, Lit/Min, Lit/Hr
 Ft³/Sec, Fit/Min, Fit/Hr
 M³/Sec, M³/Min, M³/Hr
 or Special Specified

Status Message : For pulse output cueing
 Error Warning : For polarity error display of loop powered

■ INPUT

Magnetic Pickup Range : 0~1KHz
 Pulse amplitude : ≥0.2v P-P

Open Collector Range : 0~5KHz
 Pulse width : Above 0.1ms
 Sinking level : H=3.5~30v
 L=0~1v

Non-voltage contact Range : 0~30Hz
 Pulse width : ≥16ms
 Signal level : H=5~30v
 L=0~1v

■ OUTPUT

Analog Signal : 4~20mADC , 2-wire system
 Load : 600Ω@24v DC
 Accuracy : ±0.15% FS(Without sensor error)

Pulse Type : Opto-isolated open collector
 Voltage(off state) : 30v max
 Current(on state) : 5mA@1.4v drop
 0.1mA@1.0v drop
 Duration : 32 msec or specified
 Output rate : 8 CPS max

Output divider : 0(off), +1,+10,+100,+1000
 Accuracy : 0.01%±1 count of reading (without sensor error)

■ GENERAL

LOOP POWER : 10~36 V DC
 ELEC. PROTECTION: When the loop polarity is error , the warning lamp will be turned on and the circuit will be protected by shockproof function and equivalent to Ex ia IIC T6 performance

K-FACTOR : 0.0001~9.9999 with 10 steps of non-linear calibration

DAMPING RATE : 0.1~0.6 selectable
 BIAS RANGE : 0~10% selectable
 DRIFT PROPHYLAXIS : Range of Zero/Span are compensable

SENSOR CONNECTION : ½" NPT (F)
 CONDUIT CONNECTION : ½" NPT (F), 2 holes

INNER HOUSING : Made with ABS black resin consists of electrical circuit and terminal block which becomes a complete unit, mounting to armored metal housing. Fixing position is 90° adjustable at field site.

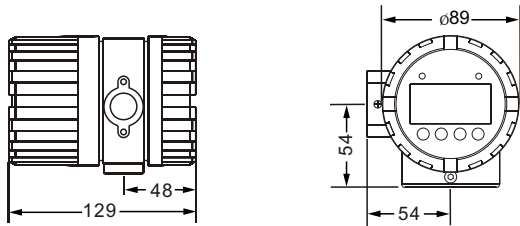
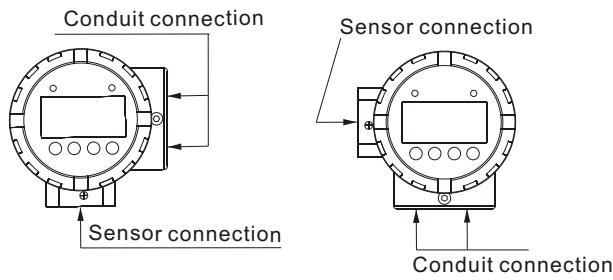
ARMORED HOUSING : Made with low copper aluminium alloy and polyester epoxy painting, suitable for integrated type (sensor directly connected) or separate type (installation of converter on stanchion). The protection rating is equivalent to Exd IIB T4 & IP67

DIMENSIONS

mm

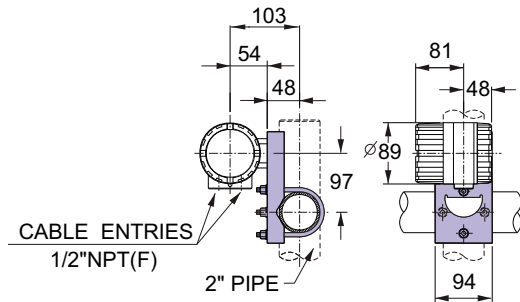
■ 330C-□□□-A

■ 330C-□□□-B



Note : The connection position of sensor is changeable at field site if necessary

■ MOUNTING BRACKET FOR REMOTE CONVERTER



Note :

Both indicating meter and mounting bracket of converter can be rotated by 90° and are suitable to be mounted on vertical / horizontal pipe.

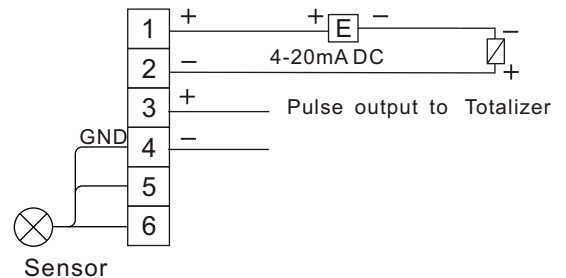
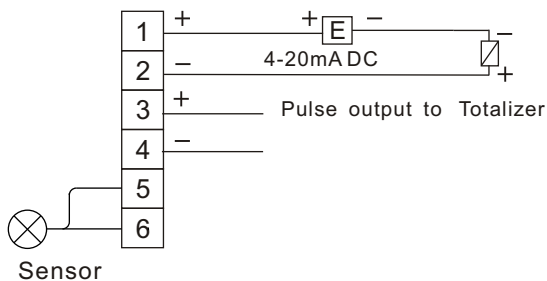
MODEL SELECTION

ITEMS	CODE	SPECIFICATIONS
① MODEL	330C-0	F/I CONVERTER FOR MAGNETIC PICKUP INPUT
	330C-1	F/I CONVERTER FOR OPEN COLLECTOR INPUT
	330C-2	F/I CONVERTER FOR NON-VOLTAGE CONTACT INPUT
	330C-3	OEM VERSIONS
② OUTPUT SIGNAL	0	4~20mA DC, 2-wire system
	1	Pulse of open collector for flow totalizer
	2	4~20mA DC + Pulse output
	3	To be specified
③ MATERIAL & FINISHED OF ARMORED HOUSING	0	Low copper aluminum alloy w/polyester epoxy painted
	1	Made with 316SS armored housing
	2	To be specified
④ CONNECTION OF SENSOR	-A	1/2"NPT (F) on the bottom of housing
	-B	1/2"NPT (F) on the side of housing
	-C	To be specified
⑤ CONNECTION OF CONDUIT	A	1/2"NPT (F), 2 holes, (Standard)
	B	To be specified
⑥ ENCLOSURE/ ELECT. PROTECTION	A	IP67 (Standard)
	B	Exd II B, T4, IP67
	C	Exia, II C T6, IP67
	D	To be specified
⑦ MOUNTING BRACKET	A	Not required
	B	Required

WIRING CONNECTIONS

MAGNETIC PICKUP INPUT(600series)

OPEN COLLECTOR INPUT(601series)



The specifications are subject to change without prior notice.

DOERS TECHNOLOGY CORPORATION

4F, NO. 1, LANE 11, TZU CHIANG STREET, TU-CHENG INDUSTRIAL PARK, TAIPEI COUNTY, TAIWAN 23678

Website : www.doers.com.tw

E-mail: doers.tech@msa.hinet.net

TEL : 886-2-22682689

FAX : 886-2-22681248

