

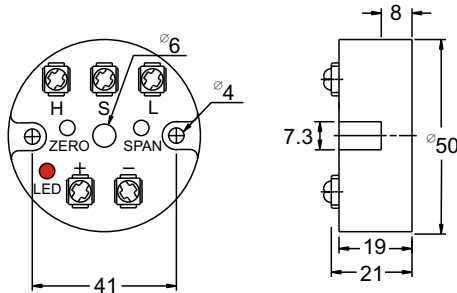


POT/I CONVERTERS 300

Moulding enclosure / Assembled in sensor head type

- COMPACT MODULE DESIGN
- ANTI-NOISE & DRIFTS MINIMIZES
- 2-WIRE SYSTEM AVAILABLE
- EASY TO ASSEMBLE
- HIGH ACCURACY & RELIABILITY

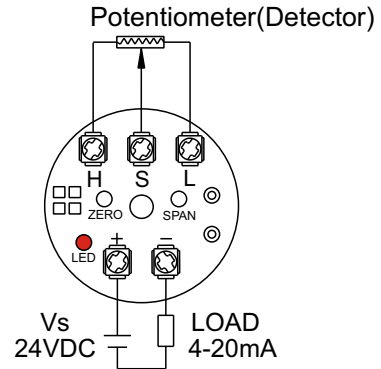
DIMENSIONS (mm)



SPECIFICATIONS

Output : 4~20mADC , 2-wire system
 Input : Potentiometer 1M Ω max.
 Accuracy : $\pm 0.1\%$ F.S.(at 20 $^{\circ}$ C)
 Linearity : $\pm 0.1\%$ F.S.
 Burnout protection : upscale 23mA
 Power supply : 10~30V DC
 Power dog : LED lamp lights up when loop electrified
 and with erring pole protection
 Load resistance : 700 Ω at 24V DC
 Zero/span adjustment : 0~15% for zero
 -20~+60%F.S. for span
 (VR screw accessed)
 Response time : 0.1sec (0-90%)
 Isolation : 250Vrms (Between Input/Output)
 Temp. Coefficient : $\pm 0.02\%$ 1 $^{\circ}$ C
 Electric protection : EEx ia IIC T6
 Enclosure : Aluminium alloy with epoxy resined
 Wiring terminals : For wires AWG14~22
 Ambient temp. : -5~+60 $^{\circ}$ C , 90%RH max
 Mounting : Assembled in sensor head
 Weight : Approx.25g (without head)

WIRING CONNECTIONS



MODEL SELECTIONS

ITEMS	CODE	SPECIFICATIONS
① MODEL	300A	Without sensor head
	300B	Assembled in sensor head
	300C	To be specified
② SENSOR HEAD	-0	None (module only)
	-1	IP68, 1/2"PT(F)
	-2	EExd IIB T4, IP68, 1/2"PT(F)
	-3	To be specified
③ INPUT	01	0~1K Ω
	99	0~99K Ω
	00	To be specified
④ OUTPUT	-A	4~20mA DC (2-wire system)
	-B	To be specified
⑤ OPTIONAL INDICATOR	A	Not required
	B	Analog indicator
	C	LCD indicator
	D	To be specified
⑥ OPTIONAL DETECTOR	A	Not required
	B	Required
	C	To be specified

DOERS TECHNOLOGY CORPORATION

4F, NO. 1, LANE 11, TZU CHIANG STREET, TU-CHENG INDUSTRIAL DISTRICT, TAIPEI HSIEN, TAIWAN 236, R. O. C.

Website : www.doers.com.tw

e-mail : doers.tech@msa.hinet.net

TEL : 886-2-22682689

FAX : 886-2-22681248

The specifications are subject to change without prior notice.



ISO 9001 : 2000
 Certificate No. EQAICC-Q-R5164