



SMART POT/I CONVERTERS

HART® COMPATIBLE OR PC CONNECTION

320

- FULLY HART® COMPATIBLE
- INPUT/OUTPUT ISOLATION 1500VAC
- SENSOR DIAGNOSTICS
- OPTIONAL PC SOFTWARE
- PROGRAMMABLE LINEARIZATION
- EXCELLENT EMC PERFORMANCE
- DURABLE & SHOCKPROOF DESIGN
- OPTIONAL INTRINSICALLY SAFE FOR Eex ia
- IIC T6 APPROVED
- IMPROVED QA WITH DATA STORAGE
- CONTROLLED OUTPUT FOR REMOTE CALIBRATION

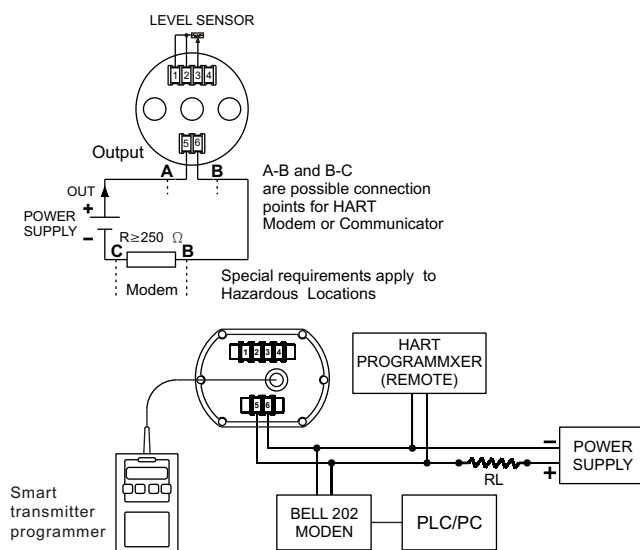


SPECIFICATIONS

GENERAL

- DETECTING PORTION:** Level detector / Potentiometer
- DISPLAY:** 8x1 character LCD indicator For programming and display of input/output parameters and status
- INPUT SIGNAL:** 0 to 0.5K Ω / 0 to 50K Ω r
- OUTPUT SIGNAL:** 4~20mA DC, 2-wire system
- OUTPUT RESOLUTION:** 5 μ A
- ZERO ADJUSTMENT:** 0~100% unlimited
- SPAN ADJUSTMENT:** 50 Ω min.
- STABILITY:** 0.1% / year
- ACCURACY:** \pm 0.1% F.S.
- HOUSING MATERIAL:** Aluminum alloy with epoxy coating
- HOUSING RATING:** IP67
- CABLE ENTRY:** 1/2"NPT(F)
- MOUNTING:** G1/2" screws on sensor head
- LOOP LOAD:** 610 Ω at 24V and 23mA (Standard)
520 Ω at 24V and 23mA (EX-version)
- LOAD INFLUENCE:** Negligible for sensor wire resistance or Loop load or power supply
- RFI INFLUENCE:** \pm 0.2% of input span (0.15~1000 MHz)
- ELECTRICAL PROTECTION:** EMC performance and shockproof (Standard) CE / FM / EX Approved (Optional)
- AMBIENT TEMPERATURE:** -10~+85°C
- OPTIONAL AUXILIARY:** Hart modem or communicator 275

WIRING CONNECTIONS



SMART FUNCTIONS

HART® compatible

True on-line communication with hand-held HART communicator 275

Sensor diagnostics

SmartSense detects low sensor isolation (essential for correct measurements). Selectable sensor break action.

Simplified loop check-up

The transmitter works as an accurate current generator.

On-screen indications of input and output

Valuable tools for temporary measurements.

Improved qa with data storage

Vital information, such as TAG-No., maintenance record etc. can be stored in the nonvolatile memory.

Customized linearization and engineering units

The accurate and versatile 50-point *Customized linearization* can be used to create almost any type of linearization curve for sensor input. By combining *Customized linearization* with the use of *Engineering units*, the transmitters can be programmed to give a linear output corresponding to a specific measuring range expressed in the primary process value.

Sensor break monitoring

Monitor sensor break and force the output signal to a user defined level, when any sensor lead is broken or disconnected. The sensor break monitoring can be switched off. The monitoring is furnished with a *pulsed excitation current*. This eliminates the voltage drop in the lead wires (giving a measuring error), caused by a standard DC excitation current.

Controlled output for instrument calibration

The smart transmitter can be set to automatically provide the recurring output values of 4, 12, 20, 12, 4 mA in a periodical scheme. Each level will last 15 seconds. The total time for controlled output is adjustable up to 30 minutes. With the hand-held Hart Communicator model 275, a constant transmitter output can be set at any level between 4 and 20 mA.

DOERS TECHNOLOGY CORPORATION

4F, NO. 1, LANE 11, TZU CHIANG STREET, TU-CHENG
INDUSTRIAL PARK, TAIPEI COUNTY, TAIWAN 23678
Website: www.doers.com.tw
E-mail: doers.tech@msa.hinet.net
TEL : 886-2-22682689
FAX : 886-2-22681248

The specifications are subject to change without prior notice.

