



FLOW INDICATING TOTALIZER 228

Pulse Input / Alarm Functions / Retransmission

FEATURES

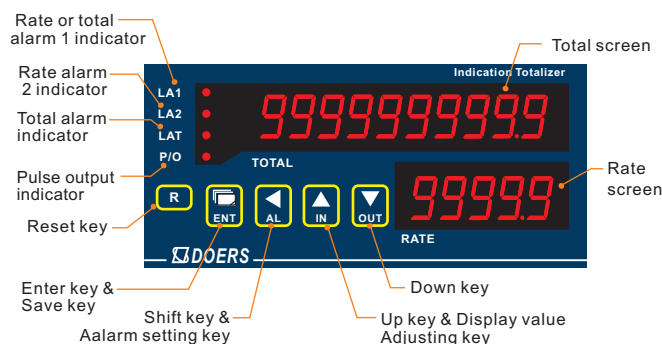
- High brightness 0.4" LED
Rate of display range : 0 ~ 99999
- Rate / total decimal point selectable
- Flow unit selectable : Liter / Gal / C.C. / m³
- Time unit selectable : sec / min / hour
- Total scale programmable (0.0001 ~ 9.9999)
- Pulse input range : 0.001 ~ 100KHz
- K factor programmable for liter per Pulse output
- Accuracy : ± 0.003% F.S.
- Reset for total by external control input
- 2 Alarms for rate / 2 alarm for total
(Alarm 1 programmable) / Pulse output /
- High stability , non-flammable case (PC)
- CE Approval



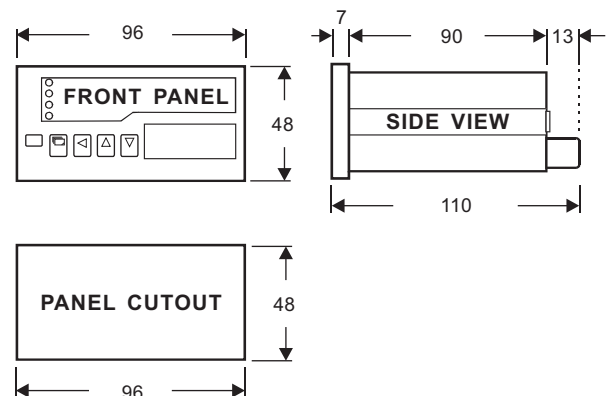
SPECIFICATION

Display screen	High brightness red LED ; 10.16mm (0.4")	Relay contact	AC 277V / 7A ; DC 30V / 7A
Display range	Rate : 0 ~ 19999 Total : 0 ~ 9999999999	Back up memory	EEPROM
Pulse sampling time	10 cycles / sec (° 10Hz) f cycles / sec (° 10Hz)	Parameters setting	Push buttons
Over range indication	do FL / io FL	Polarity indication	Automatic with " - " indication
Pulse output	Open collector (Pin C / E)	Power supply	AC / DC 100 ~ 240V DC 12 / 24 / 30 ~ 90V
Analog output	4 ~ 20mA DC or options	Power consumption	8.5VA (All functions output)
Analog output resolution	15 bit	Surge test	1.5KVac / 1min (Input / Power)
Output response time	° 250 msec (0 ~ 90%)	Temperature coefficient	100ppm / °C (0 ~ 60°C)
Output capability	Voltage output : ° 20 mA Current output : ° 10 V ± 0.03% F.S.	Operating temperature	0 ~ 60°C
Accuracy		Operating humidity	20 ~ 90%RH (Non-condensing)
Alarm action	Rate : "° (Hi) on" or "° (Lo) on" Total : "° (Hi) on"	Storage temperature	- 10 ~ 70°C
Alarm run delay time	0 ~ 99 sec adjustable	Storage humidity	20 ~ 90%RH (Non-condensing)

FRONT PANEL & KEY FUNCTIONS



DIMENSION (mm)

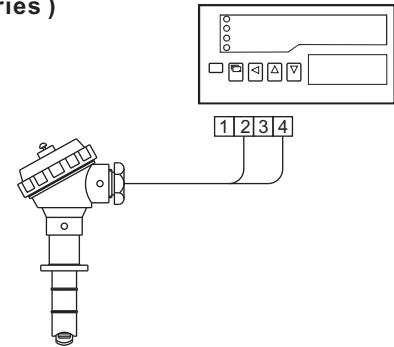


MODEL SELECTIONS

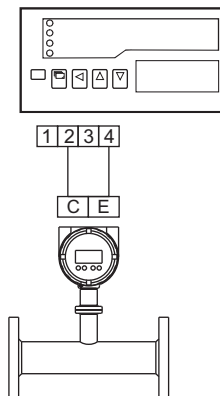
ITEMS	CODE	SPECIFICATIONS
① MODEL	228	Flow Indicating Totalizer
② OUTPUT (Retransmission)	A	None (Not required)
	B	4 ~ 20mA DC
	D	Pulse (Open collector)
	E	Pulse & 4 ~ 20mA DC
	S	To be specified
③ INPUT	° 0	Pick-up 50mV ~ 1.5V
	° 1	Pick-up 0.5V ~ 15V
	° 2	DC 24Vp
	° 3	Contact
	° 4	NPN, 5V
	° 5	NPN, 12V
	° 6	PNP, 5V
	° 7	PNP, 12V
	° 8	To be specified
④ ALARM FUNCTION	00	None
	10	1-SPDT (AL1 for flow rate alarm)
	11	1-SPDT (AL1 for flow totalizing)
	20	2-SPDT (AL1/AL2 for H/L alarm of flow rate)
	21	2-SPDT (AL1 for totalizing & AL2 for flow rate)
	22	2-SPDT (AL1/ALT for totalizing)
	30	3-SPST (AL1/AL2 for H/L alarm of flow rate and ALT for totalizing)
	31	3-SPST (AL1 for totalizing & AL2 for flow rate & ALT for totalizing)
⑤ REMOTE FUNCTION (Digital Input)	° A	None (Not required)
	° B	Remote reset
	° C	Remote hold
	° D	Remote reset / hold
	° E	To be specified
⑥ POWER SUPPLY	A	AC 100 ~ 240V
	B	DC 24V
	C	To be specified

APPLICATIONS

- Model 228 □° 1 available for flow sensor (600 series)

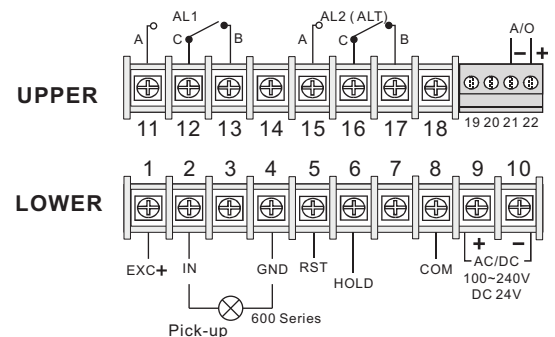


- Model 228 □° 5 available for flow transmitter (606 series)

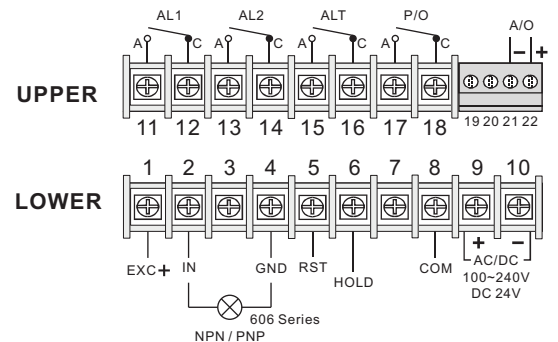


WIRING CONNECTIONS

- 2 Alarms for rate



- 2 Alarms for rate / 1 Alarm for total / Pulse output for total



DOERS TECHNOLOGY CORPORATION

4F, NO. 1, LANE 11, TZU CHIANG STREET, TU-CHENG INDUSTRIAL PARK, TAIPEI COUNTY, TAIWAN 23678

Website : www.doers.com.tw

E-mail: doers.tech@msa.hinet.net

TEL : 886-2-22682689

FAX : 886-2-22681248

