



# DIGITAL VELOCIMETER

Pulse Input / Alarm / Retransmission / Communication

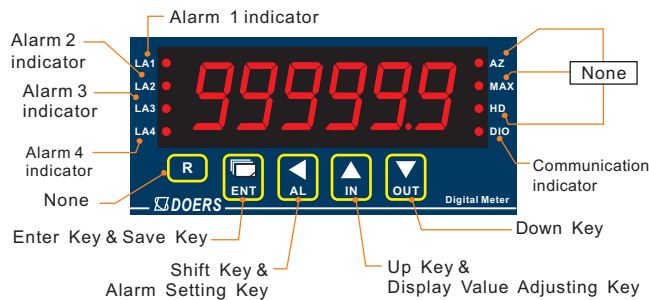
# 226

## FEATURES

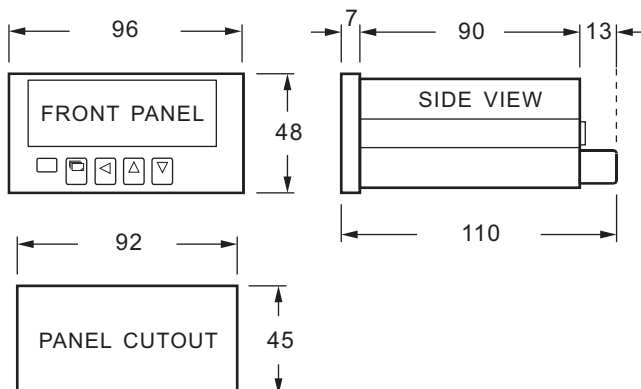
- Flow rate / flow velocity indication are suitable
- High brightness 0.8" led display : 0 ~ 99999 ; decimal point selectable
- Flow rate unit selectable : Liter / Gal / C.C. / m<sup>3</sup> for flow indicator
- Time unit selectable : sec / min / hour for flow indicator
- K factor programmable for liter per pulse output
- Velocity selectable : Hz / RPM / M / Ft / Y and min for velocimeter
- RPM pulse input programmable : 1 ~ 99999
- Accuracy :  $\pm 0.0\%$ F.S.
- 2 ~ 4 alarm programmable (Hi or Lo) / analog output (15 bit resolution) / RS-485 communication optional (The above option can exist together)
- High stability, non-flammable case (PC), high safety
- CE approval



## FRONT PANEL & KEY FUNCTIONS



## DIMENSION ( mm )



## SPECIFICATION

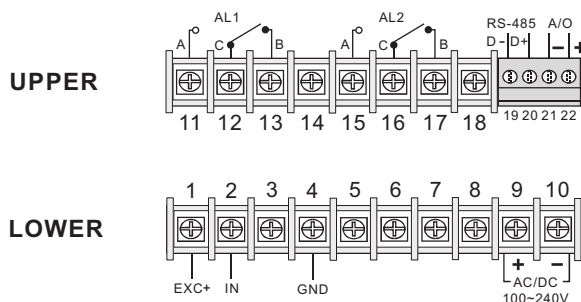
Display Screen	High brightness red LED 20.3mm ( 0.8" )
Display Range	0 ~ 99999
Sampling Time	10 cycles / sec : $\geq 10\text{Hz}$
Over Range Indication	doFL / ioFL
Polarity Indication	Automatic with "-" indication
Parameters Setting	Push buttons
Back Up Memory	EEPROM
Analog output resolution	15 bit
Output response time	$\leq 250$ msec ( 0 ~ 90% )
Output capability	Voltage output : $\leq 20\text{mA}$ Current output : $\leq 10\text{V}$
Communication	RS-485 modbus RTU mode
Baud rate	19200 / 9600 / 4800 / 2400 bps
Accuracy	$\pm 0.03\%$ F.S.
Alarm Action	" $\geq$ ( Hi ) on" or " $\leq$ ( Lo ) on"
Alarm Run Delay Time	0 ~ 99 sec
Relay Contact	AC 277V / 7A ; DC 30V / 7A
Power Supply	AC / DC 100 ~ 240V DC 12 / 24 / 30 ~ 90V
Power Consumption	8.5VA ( All functions output )
Surge Test	1.5KVac / 1min ( Input / Power )
Temperature Coefficient	100ppm / $^{\circ}\text{C}$ ( 0 ~ 60 $^{\circ}\text{C}$ )
Operating Temperature	0 ~ 60 $^{\circ}\text{C}$
Operating Humidity	20 ~ 90% RH ( non-condensing )
Storage Temperature	-10 ~ 70 $^{\circ}\text{C}$
Storage Humidity	20 ~ 90% RH ( non-condensing )

## MODEL SELECTIONS

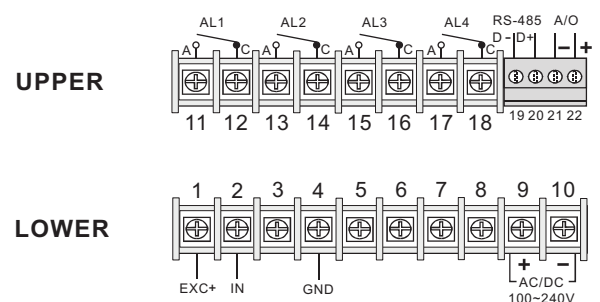
ITEMS	CODE	SPECIFICATIONS		
① MODEL	226	Digital velocimeter		
② OUTPUT (Retransmission)	A	None ( Not required )		
	B	4 ~ 20mA DC		
	C	RS-485 Communication		
	S	To be specified		
③ PURPOSE	- 0	Flow rate indication (Measuring unit : Liter / Gal / C.C. / m <sup>3</sup> & sec / min / Hr)		
	- 1	Velocity indication (Measuring unit : (Hz / RPM / M / Ft / Y & min)		
	- 2	To be specified		
④ INPUT	0	Pick-up 50mV ~ 1.5V		
	1	Pick-up 0.5V ~ 15V		
	2	DC 24Vp		
	3	Contact		
	4	NPN , 5V		
	5	NPN , 12V		
	6	PNP , 5V		
	7	PNP , 12V		
	8	To be specified		
⑤ ALARM FUNCTION	0	Not required		
	2	2-SPDT (AL1 / AL2)		
	3	3-SPST-N.O. (AL1~3)		
	4	4-SPST-N.O. (AL1~4)		
	5	To be specified		
⑥ CONTACT FORM	- A	None	- C	Open collector
	- B	Relay contact	- D	To be specified
⑦ POWER SUPPLY	A	AC 100 ~ 240V		
	B	DC 24V		
	C	To be specified		

## WIRING CONNECTIONS

### ■ 2 Alarms Output



### ■ 4 Alarms Output



## DOERS TECHNOLOGY CORPORATION

4F, NO. 1, LANE 11, TZU CHIANG STREET, TU-CHENG  
INDUSTRIAL PARK, TAIPEI COUNTY, TAIWAN 23678

Website : [www.doers.com.tw](http://www.doers.com.tw)

E-mail: [doers.tech@msa.hinet.net](mailto:doers.tech@msa.hinet.net)

TEL : 886-2-22682689

FAX : 886-2-22681248

