



TWIN INDICATOR

Analog Input / Analog Output / Communication Version

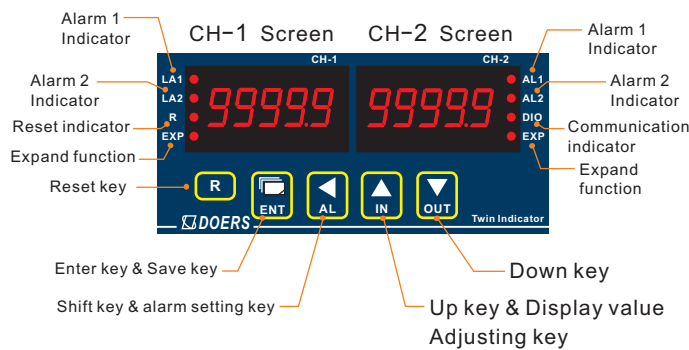
222

FEATURES

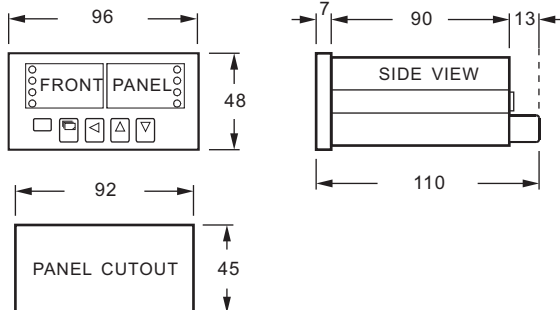
- HIGH ACCURACY
- HIGH RELIABILITY
- EASY TO OPERATE
- ANALOG RETRANSMISSION (1 CH) OR RS-485 COMMUNICATION (2 CH) FOR OPTIONAL VERSIONS
- WIDE SCALING RANGE
- ALARM FUNCTION PROGRAMMABLE



FRONT PANEL & KEY FUNCTIONS

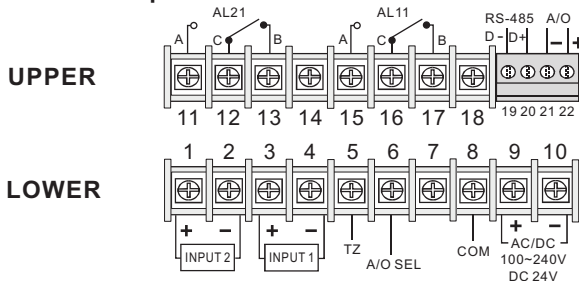


DIMENSION (mm)

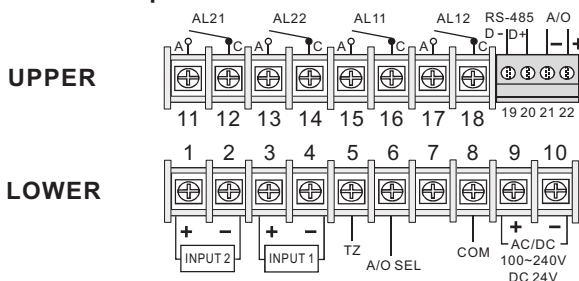


WIRING CONNECTIONS

■ 2 Alarms Output



■ 4 Alarms Output



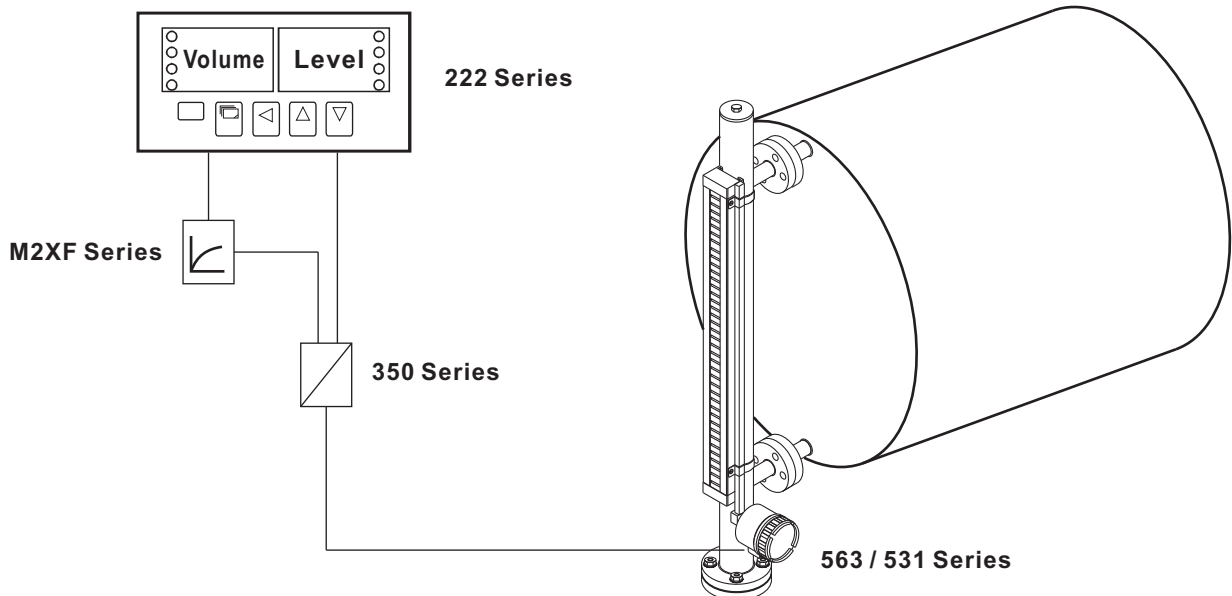
SPECIFICATION

Display Screen	High brightness red LED 10.16mm (0.4")
Display Range	-19999 ~ 99999
Sampling Time	16 cycles / sec
Zero Adjustment	-19999 ~ 99999
Over Range Indication	doFL / ioFL or -doFL / -ioFL
Polarity Indication	Automatic with "-" indication
Parameters Setting	Push buttons
Back Up Memory	EEPROM
Accuracy	±0.1%F.S. ±1 digit (DC) ±0.2%F.S. ±1 digit (AC)
Alarm Action	"≥ (Hi) on" or "≤ (Lo) on"
Relay Contact	AC 277V / 7A ; DC 30V / 7A
Alarm Run Delay Time	0 ~ 99 sec
Analog output resolution	15 bit (4 ~ 20mA DC / 0 ~ 10V DC)
Output response time	≤250 msec (0 ~ 90%)
Output capability	Voltage output : ≤20mA (1-Channel) Current output : ≤10V (1-Channel)
Communication	RS-485 modbus RTU mode (2 Channels)
Baud rate	19200 / 9600 / 4800 / 2400 bps
Input Impedence	Voltage : ≥2V for 20KΩ / V ≤2V for ≥200MΩ Current : ≥0.2A at 100mV ≤0.2A at 1V
Surge Test	1.5KVac / 1min (Input / Power)
Power Supply	AC / DC 100 ~ 240V DC 12 / 24 / 30 ~ 90V
Power Consumption	8.5VA (All functions output)
Temperature Coefficient	100ppm / °C (0 ~ 60°C)
Operating Temperature	0 ~ 60°C
Operating Humidity	20 ~ 90% RH (non-condensing)
Storage Temperature	-10 ~ 70°C
Storage Humidity	20 ~ 90% RH (non-condensing)

MODEL SELECTIONS

ITEMS	CODE	SPECIFICATIONS
① MODEL	222	TWIN INDICATOR
② OUTPUT (Retransmission)	A	None (Not required)
	B	4 ~ 20mA DC
	C	RS-485 Communication
	S	To be specified
③ CH-1 INPUT	- 0	4 ~ 20mA DC (without Excitation)
	- 1	4 ~ 20mA (with DC 24V Excitation)
	- 2	1 ~ 5V DC
	- 3	To be specified
④ CH-2 INPUT	0	4 ~ 20mA DC (without Excitation)
	1	4 ~ 20mA (with DC 24V Excitation)
	2	1 ~ 5V DC
	3	To be specified
⑤ ALARM OUTPUT	0	Not required
	2	2 SPDT (Relay contact)
	4	4 SPST-N.O. (Open collect)
	5	To be specified
⑥ POWER SUPPLY	- A	AC 100 ~ 240V
	- B	DC 24V
	- C	To be specified

APPLICATION



DOERS TECHNOLOGY CORPORATION

4F, NO. 1, LANE 11, TZU CHIANG STREET, TU-CHENG
INDUSTRIAL PARK, TAIPEI COUNTY, TAIWAN 23678

Website : www.doers.com.tw

E-mail: doers.tech@msa.hinet.net

TEL : 886-2-22682689

FAX : 886-2-22681248

