

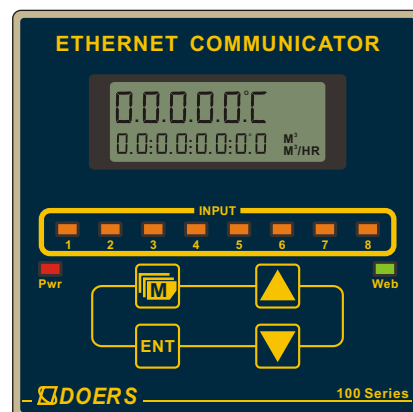


# ETHERNET COMMUNICATOR 100

Analog & Pulse Input / Ethernet Communication system

## FEATURES

- 10/100 BASE-T ETHERNET INTERFACE
- MODBUS / TCPIP PROTOCOL COMMUNICATION.
- NO BATTERY NEED
- NON-VOLATILE MEMORY RETAINS 8K BYTES (OR 32K BYTES)
- 4 CH OF RTD SENSOR INPUTS
- 4 CH OF VOLTAGE PULSE INPUTS
- INDUSTRIAL MEASURING UNIT DISPLAY
- RAPID RESPONSE TIME AND LONG-TERM STABILITY
- HIGH ACCURACY
- CUSTOM LOGOS AVAILABLE
- 90~240V AC POWER SUPPLY OR SPECIFIED

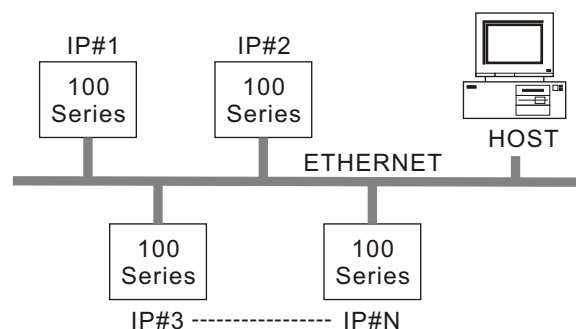


## GENERAL

100 Series is an MODBUS / TCPIP protocol communication, microprocessor-based data logger with digital LCD display. The data loggers are designed to receive 8 external sensing element inputs and record the data.

The models utilize the high-quality temperature / flow sensing element and microprocessor technology that guarantee excellent stability and best accuracy. It offers easy installation and can be employed in all common applications.

## SYSTEM CONFIGURATION



## SPECIFICATION

### RTD SENSOR INPUT

|                    |                       |
|--------------------|-----------------------|
| Channels           | 4                     |
| Input type         | PT100 ohm / DIN 43760 |
| Input connectors   | 3 wires               |
| Resolution         | 10 bits               |
| Temperature ranges | -20°C~+100°C          |

### FLOW SENSOR INPUT

|                       |                      |
|-----------------------|----------------------|
| Channels              | 4                    |
| Input type            | Voltage pulse sensor |
| Input frequency       | 10KHz max.           |
| Minimum pulse width   | 50µs                 |
| Input logic level 0   | +1V max.             |
| Input logic level 1   | +3.5V~+30V           |
| Minimum input current | 2mA                  |
| Input connectors      | 3 wires              |

### COMMUNICATION PORT

|          |                                       |
|----------|---------------------------------------|
| Protocol | MODBUS / TCPIP                        |
| Port     | 1 x Ethernet 10/100 Base-T, Rj45 port |

### LEDS

1 x Power, 2 x network

### NON-VOLATILE DATA MEMORY

8K bytes ( or 32K bytes optional )

### MEASURING UNIT

|                |   |
|----------------|---|
| Temperature    | °C or °F  |
| Flow totalizer | LIT, FT <sup>3</sup> , M <sup>3</sup> , cc, or Gallon |
| Flow rate      | /sec., /Min., or / Hr.                                |

### POWER SUPPLY VOLTAGE

90~240VAC, 50/60Hz

### ENVIRONMENT

|                       |                           |
|-----------------------|---------------------------|
| Operating temperature | -10°C~+50°C               |
| Storage temperature   | +25°C~+75°C               |
| Humidity              | 5% to 95%, non-condensing |

## MODEL SELECTIONS

| ITEMS                               | CODE | SPECIFICATIONS                               |
|-------------------------------------|------|--|
| ①<br>MODEL                          | 100A | Ethernet communicator ( with 8KB memory )    |
|                                     | 100B | Ethernet communicator ( with 32KB memory )   |
|                                     | 100C | OED / ODM versions                           |
| ②<br>HOUSING                        | -0   | Not required ( PCB with display board only ) |
|                                     | -1   | With a housing of panel mounting             |
|                                     | -2   | With a housing of wall mounting , IP56       |
|                                     | -3   | To be specified                              |
| ③<br>DISPLAY                        | 0    | Monochromatic LCD display ( Standard )       |
|                                     | 1    | To be specified                              |
| ④<br>INPUT SIGNAL                   | 0    | 4CH of RTD & 4CH of voltage pulse            |
|                                     | 1    | To be specified                              |
| ⑤<br>COMMUNICATION                  | -A   | Ethernet MODBUS / TCPIP Protocol             |
|                                     | -B   | To be specified                              |
| ⑥<br>POWER SUPPLY                   | A    | 90~240V AC                                   |
|                                     | B    | To be specified                              |
| ⑦<br>TERMINAL BOARD<br>OF CONNECTOR | A    | Screw terminals ( Standard )                 |
|                                     | B    | To be specified                              |

The specifications are subject to change without prior notice.

100-A0

### **DOERS TECHNOLOGY CORPORATION**

4F, NO. 1, LANE 11, TZU CHIANG STREET, TU-CHENG  
INDUSTRIAL PARK, TAIPEI COUNTY, TAIWAN 23678

Website : [www.doers.com.tw](http://www.doers.com.tw)

E-mail: [doers.tech@msa.hinet.net](mailto:doers.tech@msa.hinet.net)

TEL : 886-2-22682689

FAX : 886-2-22681248

